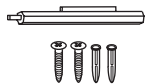
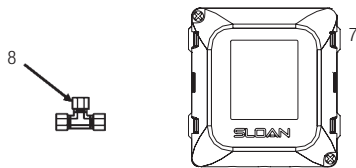
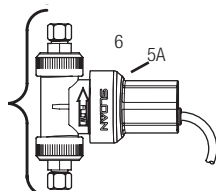
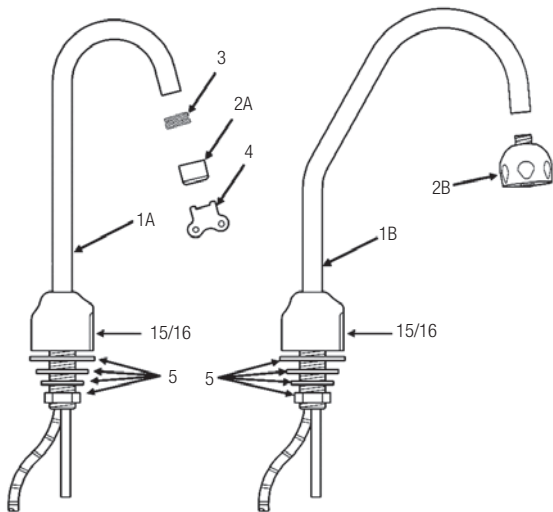


OLD Optima® EBF-750/EBF-750-S



Optional Trim Plate Kits



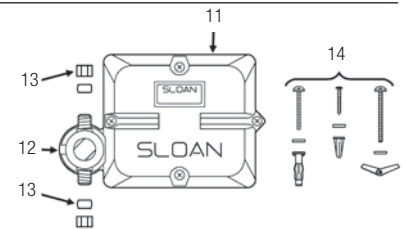
PARTS LIST—EBF-750 FAUCET

Item No.	Code No.	Part No.	Description
1A.	0315100PK	EBF-140-A	Faucet/Sensor Assembly with Standard Gooseneck Spout (EBF-750) w/ ETF-178.
1B.	0315101PK	EBF-141-A	Faucet/Sensor Assembly with Surgical Bend Gooseneck Spout (EBF-750-S) w/ ETF-178.
2A.	3365147	ETF-621-A	2.2 gpm (8.3 Lpm) Aerator Spray Head with Key (female thread)
	0365793	ETF-839	0.35 gpm (1.3 Lpm) Multi-Lam Spray Head
2B.	0328134	AC-55-A	Shower Spray Head Assembly, 2.2 gpm (8.3 Lpm)
3.	0305784	ETF-178	Adapter for Spray Heads (not required for AC-55-A Shower Spray Head)
4.	0305927	ETF-435	Replacement Key Only
5.	0365110	ETF-503-A	Spout Mounting Kit includes Rubber Gasket, Flat Washer, Lockwasher, Mounting Nut, and Union Compression Fitting
6.	0365758	ETF-740-A	6 VDC Solenoid Assembly
7.	0365752	ETF-735-A	Control Module
8.	3365461	ETF-617-A	Bak-Chek® Tee Assembly
9.	3365302	ETF-607-A	Optional 4" (102 mm) Centerset Trim Plate Kit includes Trim Plate Spacer and Single Hole Trim Plate Assembly
—	0365838	ETF-1003	36" Extension Cable (Optional) for Sensor

For additional information about Sloan Mixing Valves or Trim Plates, consult our Installation Instructions and Maintenance Guides.

The current parts breakdown shown on the left has been in production since September 2009. For earlier EBF-650/615 faucet models, please refer to the parts breakdown below and right or consult your nearest Sloan representative.

Note: earlier faucet models are not compatible with the current models.

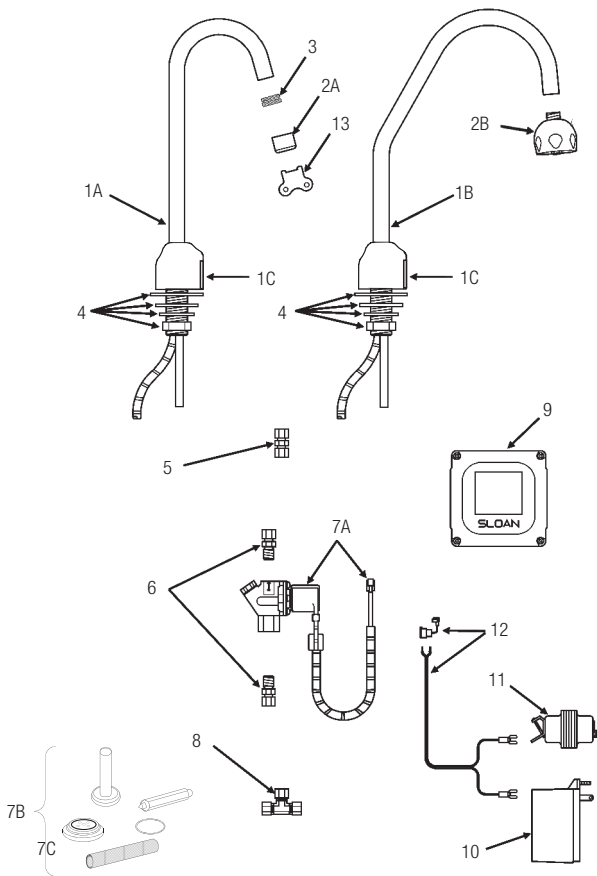


PARTS PRIOR TO SEPTEMBER 2009

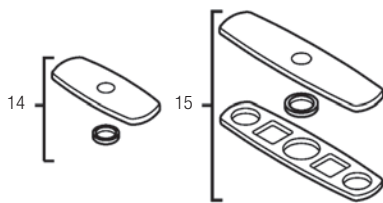
11.	0315104	EBF-60-A	Control Module assembly
12.	0315254	EBF-1011-A	Solenoid replacement kit
13.	3315029	EBF-113-A	Single solenoid supply compression nut kit
14.	3315018	EBF-79-A	Mounting hardware kit
15.	9103292	EBF-236-A	Sensor (New Style) Replacement Kit ONLY includes Sensor Housing and Cable Assembly (Phone Jack)
16.	0315057	EBF-138-A	Sensor (Old Style) (Prior to September 2009) Replacement Kit ONLY includes Sensor Housing and Cable Assembly (Flat Wire Black Plug)

— = Not shown in illustration

OLD Optima® ETF-700/ETF-700-S



Optional Trim Plates



PARTS LIST—ETF-700 FAUCET

Item No.	Code No.	Part No.	Description
1A.	0365108	ETF-472-A	Faucet and Sensor Assembly with Standard Gooseneck Spout (ETF-700)
1B.	0365109	ETF-473-A	Faucet and Sensor Assembly with Surgical Bend Gooseneck Spout (ETF-700-S)
1C.	0365456PK	ETF-830-A	(NEW STYLE) Sensor Module Only includes 18" (153 mm) armored Cable, Shroud, and Housing for Sensor Window (ETF-700 and ETF-700-S Faucets)
1C.	0365028	ETF-476-A	(OLD STYLE) (Prior to 1-2009) Sensor Module Only includes 18" (153 mm) armored Cable, Shroud, and Housing for Sensor Window (ETF-700 and ETF-700-S Faucets)
2A.	0365147	ETF-621-A	2.2 gpm (8.3 Lpm) Aerator Spray Head with Key (female thread)
	0365793	ETF-839	0.35 gpm (1.3 Lpm) Multi-Lam Spray Head
2B.	0328134	AC-55-A	Shower Spray Head Assembly, 2.2 gpm (8.3 Lpm)
3.	0305784	ETF-178	Adapter for Spray Heads (not required for AC-55-A Shower Spray Head)
4.	0365110	ETF-503-A	Spout Mounting Kit Includes Rubber Washer, Flat Washer, Lockwasher, Mounting Nut, and Union Compression Fitting
5.	0365057	ETF-530	3/8" x 3/8" Union Compression Fitting (female)
6.	3365676	ETF-437-A	Single Solenoid Supply Kit includes, two (2) Compression Fittings, Compression Nut, and Ferrule
7A.	0305849	ETF-370-A	24 VAC Solenoid Valve Assembly includes 18" (457 mm) Armored Cable and two (2) Terminal Housings
7B.	3305577	ETF-1009-A	Solenoid Valve Repair Kit includes Replacement Filter, Guide, Armature Spring, Diaphragm and Washer
7C.	3375003	MCR-1003-A	Diaphragm only
8.	3365461	ET617-A	Bak-Chek® "T" Assembly
9.	3365000	ETF-450-A	Control Module Assembly includes splashproof Junction Box and Junction Box Mounting Kit
10.	0365534	ETF-233	120V/35VA Plug-In Transformer
11.	0345370	EL-248-40	24V/40VA Box Mount Transformer
12.	0365001	ETF-458-A	Input Power Cable (Transformer to Control Module) includes Strain Relief and two (2) Terminal Crimp Connectors
13.	0305927	ETF-435	Replacement Key Only
14.	3365302	ETF-607-A	Trim Plate for 4" Center-set Sink
15.	3365303	ETF-608-A	Trim Plate for 8" Center-set Sink

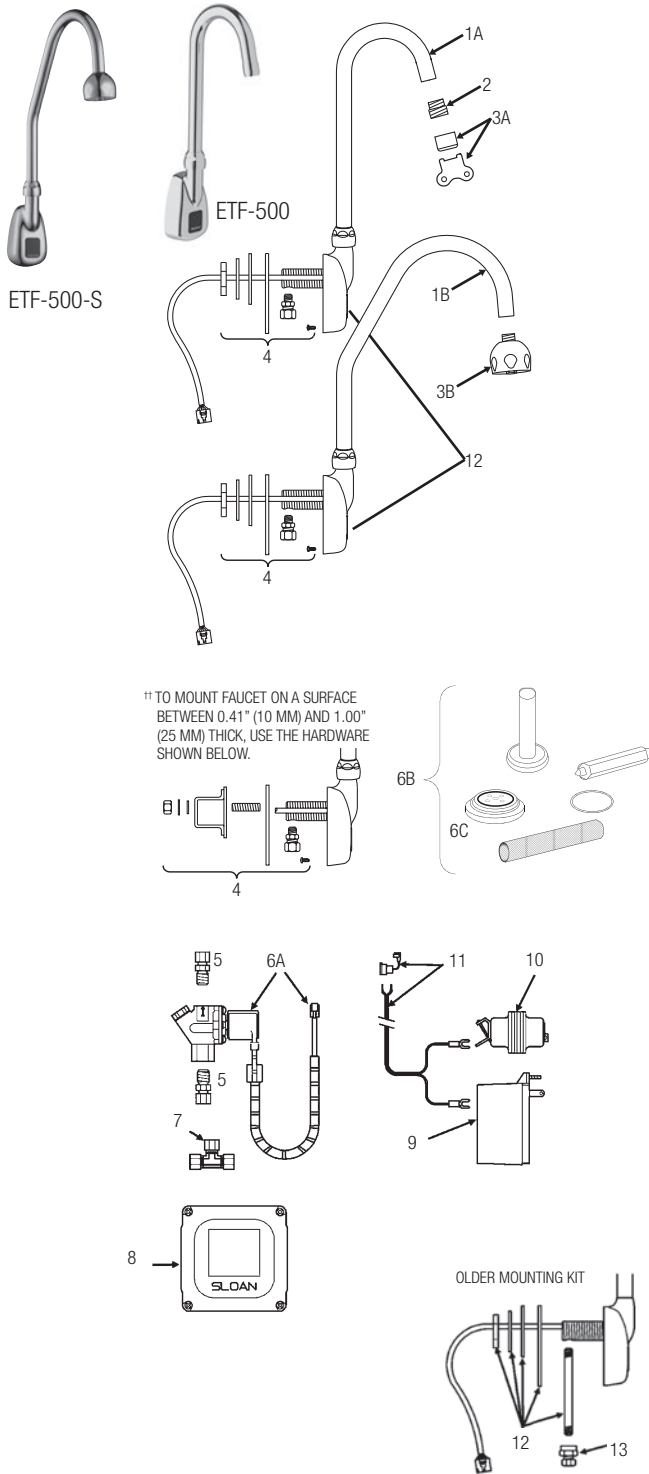
— = Not shown in illustration

FAUCET CABLE EXTENSION CORDS

ETF-80, ETF-500, ETF-600/ETF-610, ETF-660/ETF-770, ETF-700

0365042	ETF-1005-26	Faucet to Control Module Extension Cord; 26 inch (0.7 meter) Length – OBSOLETE
0305861	ETF-1005-36	Faucet to Control Module Extension Cord; 36 inch (0.9 meter) Length
0305862	ETF-1005-72	Faucet to Control Module Extension Cord; 72 inch (1.8 meter) Length – OBSOLETE
0305863	ETF-1005-108	Faucet to Control Module Extension Cord; 108 inch (2.7 meter) Length
0365838	ETF-1003-36	Solenoid to Control Module Extension Cord; 36 inch (0.9 meter) Length
0365053	ETF-1003-48	Solenoid to Control Module Extension Cord; 48 inch (1.2 meter) Length – OBSOLETE
0365839	ETF-1003-72	Solenoid to Control Module Extension Cord; 72 inch (1.8 meter) Length – OBSOLETE
0365840	ETF-1003-108	Solenoid to Control Module Extension Cord; 108 inch (2.7 meter) Length

OLD Optima® ETF-500/ETF-500-S



†† TO MOUNT FAUCET ON A SURFACE BETWEEN 0.41" (10 MM) AND 1.00" (25 MM) THICK, USE THE HARDWARE SHOWN BELOW.

New Base Gasket

The new base gasket (in production since October 1999) is shown at right. An older base gasket design did not have the u-shaped drainage hole.



PARTS LIST—ETF-500 FAUCET

Item No.	Code No.	Part No.	Description
1A.	0365778	ETF-772-A-ST	Faucet/Sensor Assembly with Standard Gooseneck Spout
1B.	0365783	ETF-772-A-SU	Faucet/Sensor Assembly with Surgical Bend Gooseneck Spout
2.	0305784	ETF-178	Aerator Adapter for Spray Heads (not required for AC-55-A Shower Spray Head)
3A.	0365147	ETF-621-A	2.2 gpm (8.3 Lpm) Aerator Spray Head with Key (female thread)
	0365793	ETF-839	0.35 gpm (1.3 Lpm) Multi-Lam Spray Head
	0305927	ETF-435	Replacement Key ONLY
3B.	0328134	AC-55-A	Shower Spray Head Assembly, 2.2 gpm (8.3 Lpm)
4.	0315060	EBF-110-A	Faucet Mounting Kit includes Base Gasket, large Flat Washer, large Lock Washer, large Nut, Mounting Spacer, Mounting Stud, small Flat Washer, small Lock Washer, small Nut, Anti-Rotation Screw, and Compression Fitting Connector (male)
—	0365152	ETF-591	1/8" NPT Pipe to 3/8" Tube Male Compression Fitting Connector
5.	3365676	ETF-437-A	Single Solenoid Supply Kit includes, two (2) Compression Fittings, Compression Nut, and Ferrule
6A.	0305849	ETF-370-A	24 VAC Solenoid Valve Assembly includes 18" (457 mm) armored Cable and two (2) Terminal Housings
6B.	3305577	ETF-1009-A	Solenoid Valve Repair Kit includes Replacement Filter, Guide, Armature Spring, Diaphragm and Washer
6C.	3375003	MCR-1003-A	Diaphragm only
7.	3365461	ETF-617-A	Bak-Chek® "T" Assembly
8.	3365000	ETF-450-A	Control Module Assembly includes splashproof Junction Box and Junction Box Mounting Kit
9.	0365534	ETF-233	120V/35VA Plug-In Transformer
10.	0345370	EL-248-40	24V/40VA Box Mount Transformer
11.	0365001	ETF-458-A	Input Power Cable (Transformer to Control Module) includes Strain Relief and two (2) Terminal Crimp Connectors
12.	0365097	ETF-568-A	Sensor Only

See page 157 for faucet cable extension cords.

— = Not shown in illustration

OLD MOUNTING KIT AND FAUCET SHANK

12.	N/A††	EBF-110-A	Old Faucet Mounting Kit included 3/8" Water Supply Tube, Base Gasket, large Flat Washer, large Lock Washer, large Nut, and Compression Fitting Connector (order Items 4 and 13 as replacement parts)
13.	0365058††	ETF-547	1/8" NPT Pipe to 3/8" Tube Female Compression Fitting Connector

The new mounting kit (in production since June 1999; Item 4 shown at left) includes parts for installation on both thin and thick surfaces, an ETF-591 male compression fitting, and an anti-rotation screw for installation on sheet metal surfaces less than 0.41" (10 mm) thick. For surfaces between 0.41" (10 mm) and 1.00" (25 mm) thick, use the mounting spacer and mounting stud hardware. The faucet sensor cable is threaded through a groove on the side of the shank.

The older mounting kits (Items 12 and 13) can be identified by a copper supply tube attached to the faucet shank, requires an ETF-547 compression fitting, and threads the faucet sensor cable through the interior of the shank.

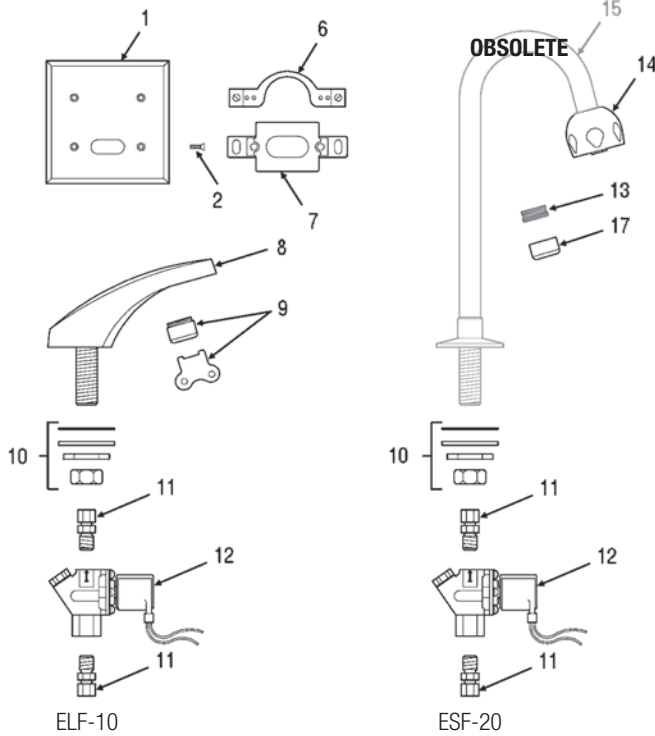
Optima® ELF-10/ESF-20/ESF-30-OBSOLETE



ELF-10

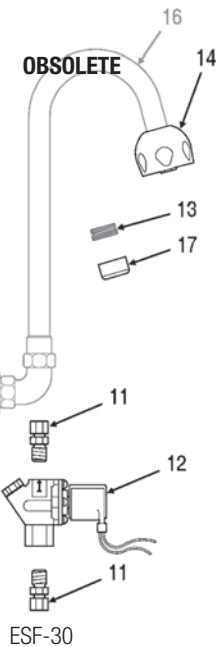
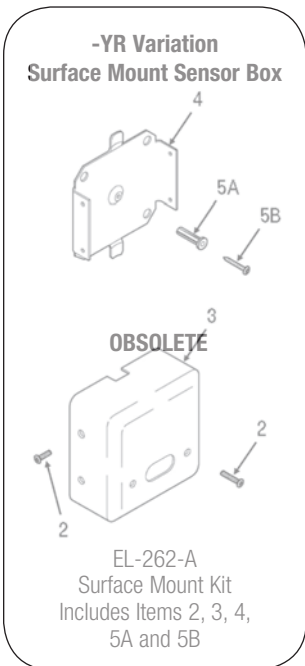
ESF-20

ESF-30



ELF-10

ESF-20



ESF-30

PARTS LIST—ELF-10, ESF-20, AND ESF-30 FAUCETS

Item No.	Code No.	Part No.	Description
1.	0305161	EL-161	Cover Plate for 2-gang junction box (4-1/2" square)
2.	0305152	EL-152	Cover Plate Screws (use 5/64" hex wrench)
3.	0305341	EL-236	Sensor Box (for -YR Variation) – OBSOLETE
4.	0305345	EL-242	Wall Mounting Bracket Plate (for -YR Variation) – OBSOLETE
5A.	0311048	K-57	Anchor (for -YR Variation) – OBSOLETE
5B.	0311041	K-44	Slotted Wood Screw (for -YR Variation) – OBSOLETE
6.	0305323	EL-168-A	Yoke Assembly includes Yoke, two (2) Screws, and two (2) Washers
7.	3305622	EL-1500-LL	OPTIMA Lavatory Sensor
	3305623	EL-1500-LL-T	OPTIMA Lavatory Sensor with 30-second timeout
8.	0365162	ETF-595-A	Faucet Spout Assembly (ELF-10)
9.	3365092	ETF-1023-A	0.5 gpm (1.9 Lpm) Spray Head with Key (male thread)
	3365093	ETF-1024-A	2.2 gpm (8.3 Lpm) Aerator Spray Head with Key (male thread)
	3365162	ETF-1029-A	2.2 gpm (8.3 Lpm) Laminar Flow Spray Head with Key (male thread)
	0305927	ETF-435	Replacement Key Only
10.	0305768	EL-310-A	Mounting Hardware Kit (ELF-10 and ESF-20 only) includes Washer, Locking Nut, Coupling Nut, Rubber Washer, and Washer Cone
11.	0305459	ETF-61	3/8" Male Compression Fitting x 3/8" NPT
12.	3305527	ETF-1004-A	24 VAC Solenoid Valve Assembly includes male Compression Fitting, Input Power Cable, Solenoid Valve with stainless steel seat, and quick-disconnect Terminal Receptacle
—	3305577	ETF-1009-A	Solenoid Valve Repair Kit includes Replacement Filter
	3375003	MCR-1003-A	Diaphragm only
13.	0305784	ETF-178	Aerator Adapter (ESF-20 and ESF-30 only; not required for Shower Spray Head)
14.	0328134	AC-55-A	Shower Spray Head Assembly, 2.2 gpm (8.3 Lpm)
15.	0328198	AC-92-A	Deck-Mounted Faucet with Gooseneck Spout (ESF-20) – OBSOLETE
—	0305797	AC-93-A	Deck-Mounted Faucet with Surgical Bend Gooseneck Spout (ESF-20)
16.	0328140	AC-97-A	Back-Mounted Faucet with Gooseneck Spout (ESF-30) – OBSOLETE
—	0305798	AC-94-A	Back-Mounted Faucet with Surgical Bend Gooseneck Spout (ESF-30) – OBSOLETE
17.	3365090	ETF-621-A	2.2 gpm (8.3 Lpm) Aerator Spray Head with Key (female thread)
—	0305368	EL-262-A	Surface Mount Kit includes Items 2, 3, 4, 5A, and 5B (for -YR Variation) – OBSOLETE

Sloan faucets are available in various finishes – contact factory for part numbers.

— = Not shown in illustration

OBSOLETE FAUCET