

Vespin® II WASHLET®+ S7A Two-Piece Toilet - 1.28 GPF

FEATURES

- Concealed supply connection for seamless installation
- High-efficiency TORNADO FLUSH® system - 1.28 GPF (4.8 LPF)
- CEFIONTECT® ceramic glaze minimizes waste from sticking to porous ceramic surfaces
- Skirted Design
- Universal Height
- Chrome plated trip lever
- 12" Rough-in
- Elongated front bowl and WASHLET+ S7A and tank set
- EWATER+® auto-cleans wand and bowl after every use
- PREMIST® automatically mists the bowl before each use
- Multifunction pearl white block-style remote control
- Auto open/close lid
- Night light
- Auto flush available as upgrade



MODELS

- **MW4744736CEFGA (#01)**
With CEFIONTECT ceramic glaze, WASHLET+ S7A with contemporary design and Auto Flush
 - **CT474CUFGT40**
Elongated bowl with CEFIONTECT
 - **ST454EA**
Tank and cover only
 - **SW4736AT40**
WASHLET+ S7A
 - **THU857**
Auto Flush Kit
- **MW4744736CEFG (#01)**
Same as MW4744736CEFGA without Auto Flush

OPTIONAL COMPONENTS

- **TSU01W.10R**
10" Rough-In
- **TSU01W.14R**
14" Rough-In
- **THU808(#01, #03, #11, #12, #51, #BN, #PN, #RB)-A**
Trip Lever (Cotton, Bone, Colonial White, Sedona Beige, Ebony, Brushed Nickel, Polished Nickel, Oil Rubbed Bronze)

COLORS/FINISHES

- #01 Cotton

- TORNADO FLUSH
- EWATER+
- CEFIONTECT
- Auto Flush
- UNIVERSAL HEIGHT

PRODUCT SPECIFICATION

The two-piece high-efficiency TORNADO FLUSH toilet shall be 1.28 GPF (4.8 LPF). Universal Height Toilet with CEFIONTECT glaze finish. Toilet shall have high-profile tank, elongated front bowl and chrome trip lever. Toilet shall be TOTO Model MW4744736CEFG__#01.

See SW4736AT40 Specification Sheet for details on included WASHLET.

CODES/STANDARDS

- Meets and exceeds ASME A112.19.2/CSA B45.1
- Certifications: IAPMO (cUPC®), EPA WaterSense®, State of Massachusetts, City of Los Angeles, and others
- Code compliance: UPC, IPC, NSPC, NPC Canada, and others
- Legislative Compliance: California AB715, California Green Building Code, City of Los Angeles Water Efficiency Ordinance, and others
- ADA compliant for residential use with autoflush feature model, or with trip lever located on the approach side
- Complies with CA Prop 65 warning requirements



MW4744736CEFG(A)

Vespin® II WASHLET®+ S7A
Two-Piece Toilet - 1.28 GPF

SPECIFICATIONS

Water Use	1.28 GPF (4.8 LPF)
Flush System	TORNADO FLUSH®
Min. Water Pressure	8 psi (Flowing)
Water Surface	6-3/4" x 8-5/8"
Trap Diameter	2-1/8"
Rough-in	12" (10" and 14" options available)
Trap Seal	2-1/8"
Warranty	One Year Limited Warranty
Material	Vitreous China
Shipping Weight	CT474CUFGT40: 75 lbs ST454EA: 31 lbs SW4736AT40: 15 lbs
Shipping Dimensions	CT474CUFGT40 30-1/8" L x 16-3/4" W x 22" H ST454EA 18" L x 9" W x 16" H SW4736AT40 23-3/8" L x 17-5/8" W x 6-1/4" H

See SW4736AT40 Specification Sheet for details on included WASHLET.

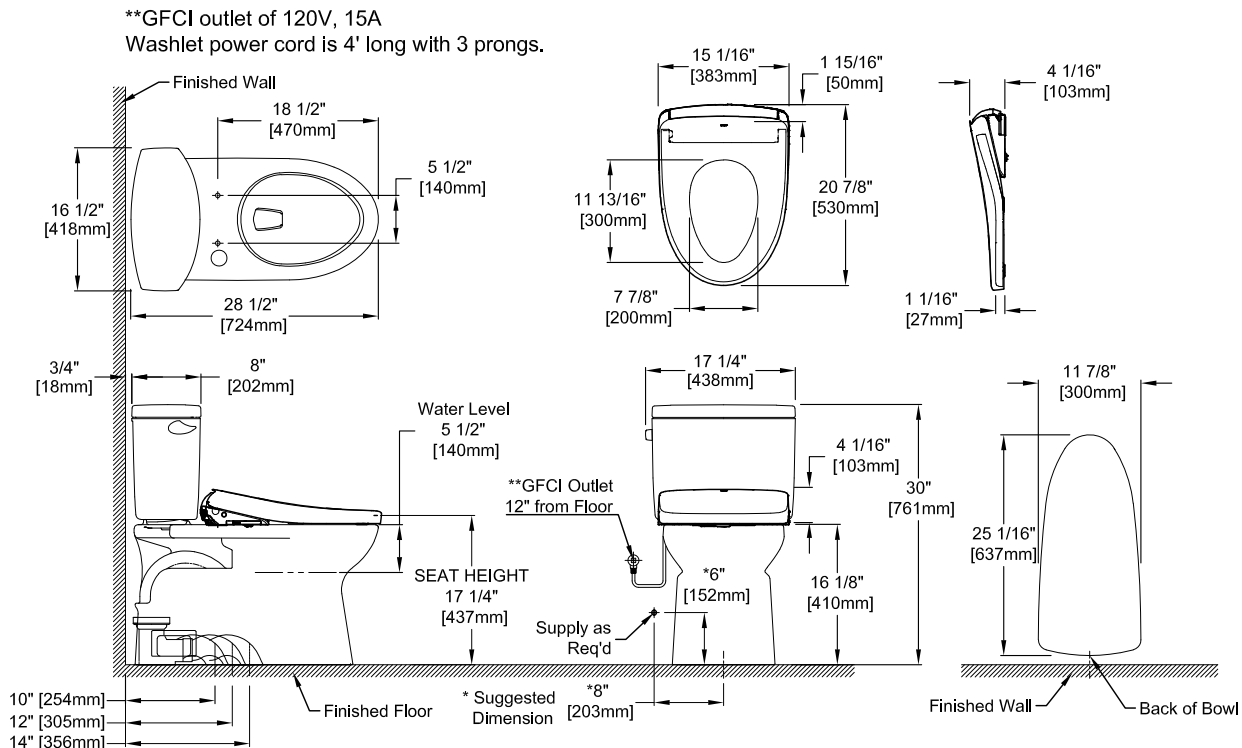
INSTALLATION NOTES

Back-to-Back Toilet Installations:
TOTO recommends the use of a nationally listed, double sanitary tee-wye only, in vertical waste stacks, in accordance with the stipulations noted in the majority of nationally recognized plumbing codes.



To maintain adequate wall gap between the back of the tank and wall, mount the floor flange at a nominal 12" rough-in distance.

DIMENSIONS



TOTO®

These dimensions and specifications are subject to change without notice