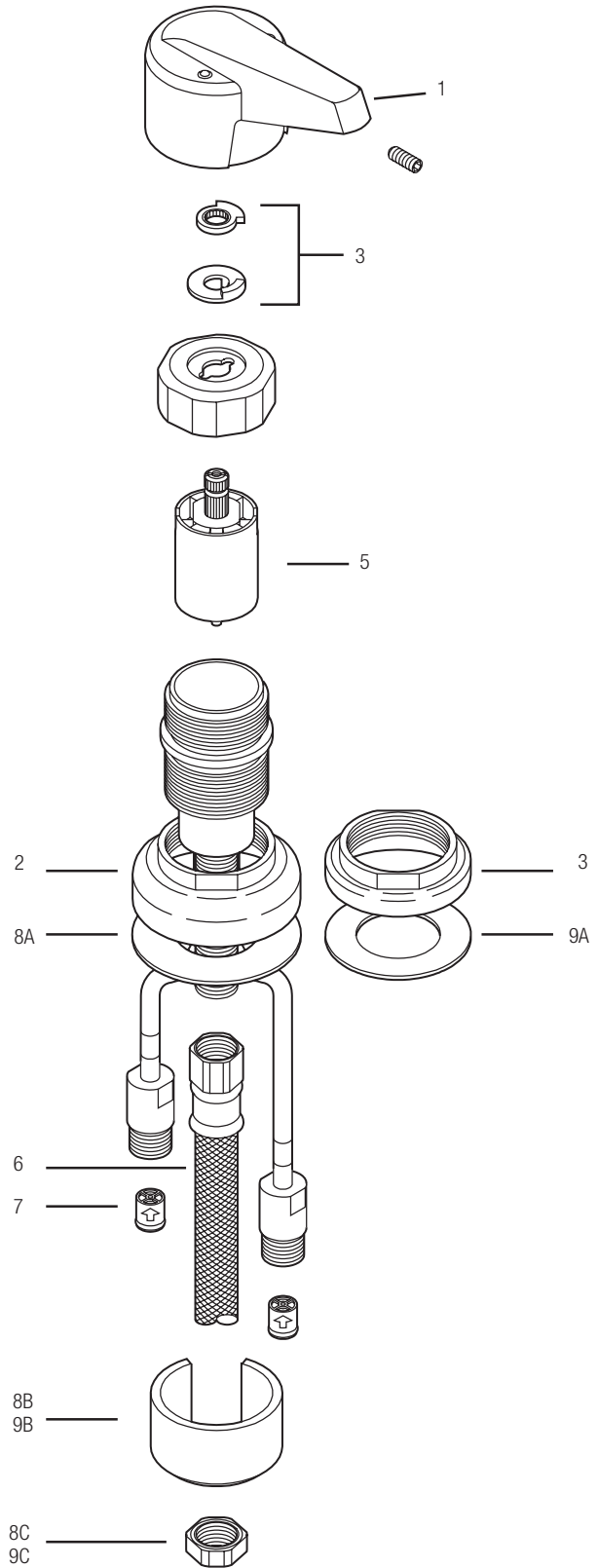


# PARTS LIST

Item No.	Part No.	Description
	MIX-100-A	Ceramic Stand Alone Optimix Valve Assembly, includes Part Numbers 1 and 4 through 8 ‡.
	MIX-110-AA	Ceramic Optimix Valve Assembly with Trim Plate, includes Part Numbers 2 through 7 and 9 ‡.
1	MIX-123-A	Handle Assembly, includes 8-32x5/8 Cone Point Stainless Steel Set Screw
2	MIX-144	Flange for Stand Alone (MIX-100-A)
3	MIX-143	Flange for Trim Plate Mount (MIX-110-AA)
4	MIX-87-A	Hot Water Temperature Limit Stop Kit, includes Extended Lip Stop and Raised Lip Stop
5	MIX-59	Ceramic Cartridge
6	MIX-19	Flexible Supply Hose, 20"
7	MIX-79	Check Valve – 2/pack
8	MIX-84-A	Mounting Hardware for MIX-100-A Valve, includes Part Numbers 7A through 7C †
8A	–	Base Gasket
8B	–	Cup Washer
8C	–	Mounting Nut
9	MIX-111-A	Mounting Hardware for MIX-110-AA Valve, includes Part Numbers 8A through 8C †
9A	–	Base Gasket
9B	–	Cup Washer
9C	–	Mounting Nut

† Mounting Hardware Kit also includes 5/64" Hex Wrench and Spacer (not shown).

‡ Older mixing valves MIX-25-A or MIX-30-A only available repair part is MIX-1-A Repair Cartridge.



**NOTICE:** The information contained in this document is subject to change without notice.

**SLOAN VALVE COMPANY • 10500 SEYMOUR AVENUE • FRANKLIN PARK, IL 60131**

Phone: 1-800-9-VALVE-9 or 1-847-671-4300 • Fax: 1-800-447-8329 or 1-847-671-4380 • <http://www.sloanvalve.com>