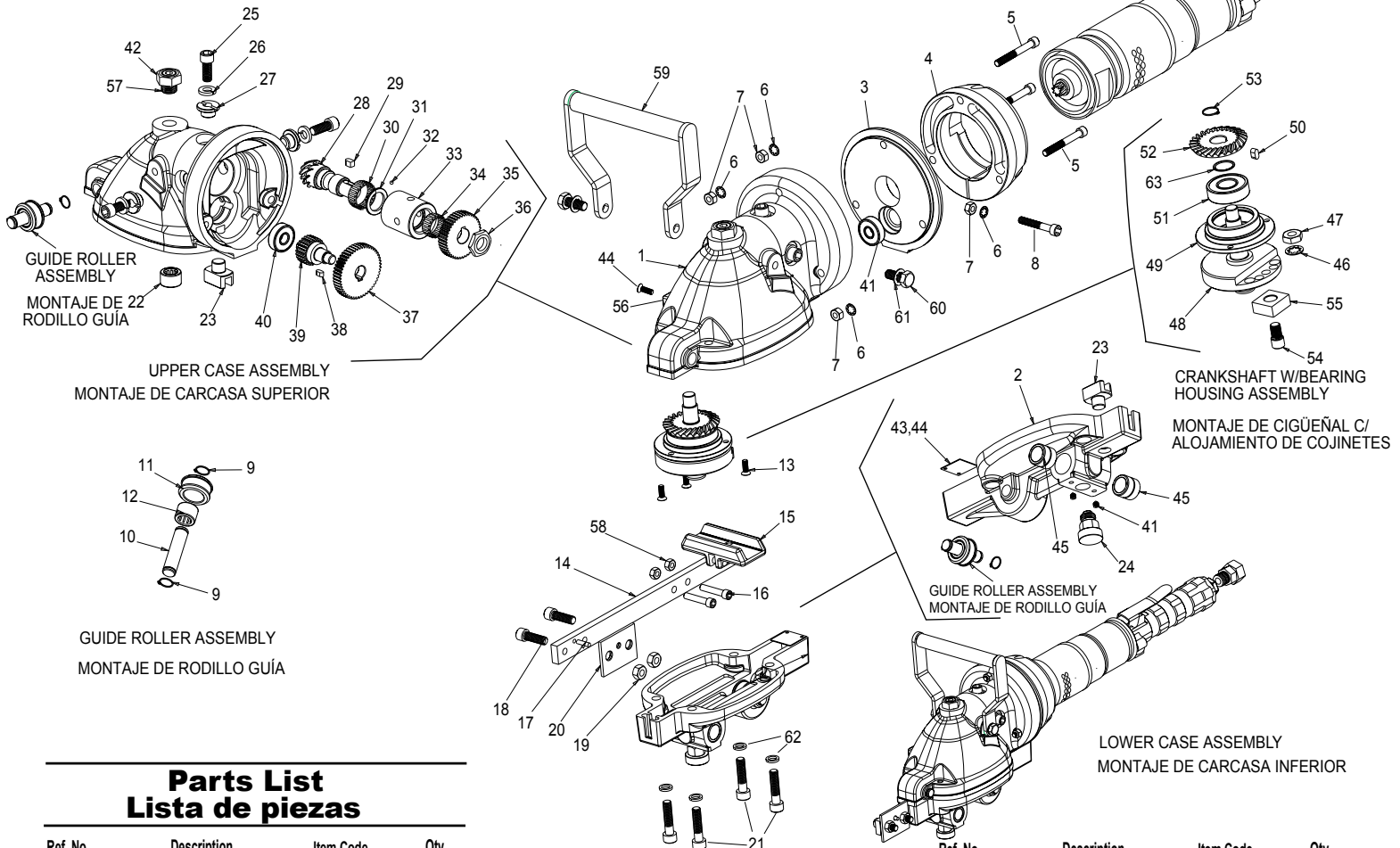




PIPE TOOLS & VISES  
SINCE 1896

# Saw It® Pneumatic Saw (#07620 SAWITSD2)

Replacement Parts  
Piezas de repuesto



## Parts List Lista de piezas

| Ref. No.<br>N° de Ref. | Description<br>Descripción | Item Code<br>Código de artículo | Qty.<br>Cant. |
|------------------------|----------------------------|---------------------------------|---------------|
| 1                      | Upper Case                 | 97651                           | 1             |
| 2                      | Lower Case                 | 97650                           | 1             |
| 3                      | End Cover                  | 97653                           | 1             |
| 4                      | End Clamp                  | 97688                           | 1             |
| 5                      | Bolt, SHCS                 | 37667                           | 3             |
| 6                      | Lock Washer                | 37655                           | 4             |
| 7                      | Hex Nut                    | 37650                           | 4             |
| 8                      | Bolt, SHCS                 | 37666                           | 1             |
| 9                      | Snap Ring                  | 47668                           | 4             |
| 10                     | Guide Shaft                | 97670                           | 2             |
| 11                     | Guide Roller               | 97668                           | 2             |
| 12                     | Needle Bearing             | 47673                           | 2             |
| 13                     | Screw, FHCS                | 37669                           | 3             |
| 14                     | Rail                       | 97676                           | 1             |
| 15                     | Cam Bracket                | 97654                           | 1             |
| 16                     | Bolt, SHCS                 | 30302                           | 2             |
| 17                     | Dowel Pin                  | 37659                           | 1             |
| 18                     | Bolt, SHCS                 | 37671                           | 2             |
| 19                     | Nut, Hex                   | 30176                           | 2             |
| 20                     | Clamp Plate                | 97666                           | 1             |
| 21                     | Bolt, SHCS                 | 37652                           | 4             |
| 22                     | Needle Bearing             | 47674                           | 1             |

| Ref. No.<br>N° de Ref. | Description<br>Descripción | Item Code<br>Código de artículo | Qty.<br>Cant. |
|------------------------|----------------------------|---------------------------------|---------------|
| 23                     | Guide Bearing              | 97671                           | 2             |
| 24                     | Spring Plunger             | 97678                           | 1             |
| 25                     | Socket Head Cap Screw      | 32910                           | 3             |
| 26                     | Lock Washer                | 37657                           | 3             |
| 27                     | Offset Washer              | 97667                           | 3             |
| 28                     | Gear Shaft                 | 97660                           | 1             |
| 29                     | Shaft Key                  | 37660                           | 1             |
| 30                     | Needle Bearing             | 47671                           | 1             |
| 31                     | Thrust Washer              | 37658                           | 1             |
| 32                     | Ball Bearing               | 37663                           | 22            |
| 33                     | Bearing Housing            | 97675                           | 1             |
| 34                     | Needle Bearing             | 47672                           | 1             |
| 35                     | Spur Gear                  | 97662                           | 1             |
| 36                     | Jam Nut                    | 37654                           | 1             |
| 37                     | Helical Gear               | 97664                           | 1             |
| 38                     | Shaft Key                  | 37662                           | 1             |
| 39                     | Reduction Gear             | 97663                           | 1             |
| 40                     | Radial Bearing             | 47670                           | 2             |
| 41                     | Flathead Screw             | 37673                           | 2             |
| 42                     | Jam Nut                    | 30058                           | 1             |
| 43                     | Cover Plate                | 97677                           | 1             |

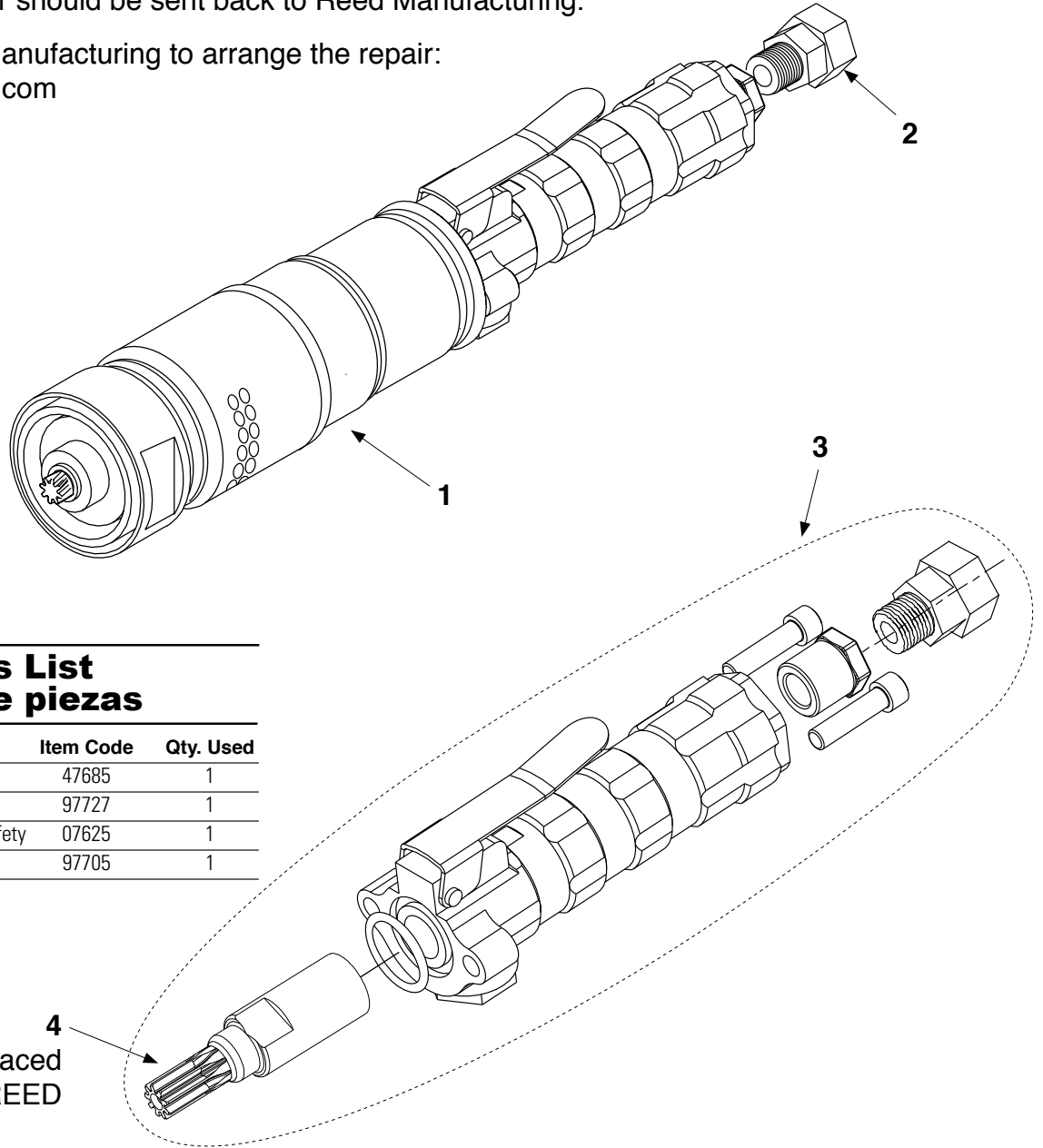
| Ref. No.<br>N° de Ref. | Description<br>Descripción | Item Code<br>Código de artículo | Qty.<br>Cant. |
|------------------------|----------------------------|---------------------------------|---------------|
| 44                     | Drive Pin                  | 37710                           | 4             |
| 45                     | Handle Bushing             | 97672                           | 2             |
| 46                     | Lock Washer                | 37656                           | 1             |
| 47                     | Jam Nut                    | 37653                           | 1             |
| 48                     | Crank Assembly             | 97674                           | 1             |
| 49                     | Bearing Retainer           | 97673                           | 1             |
| 50                     | Shaft Key                  | 37661                           | 1             |
| 51                     | Bearing                    | 98855                           | 1             |
| 52                     | Bevel Gear                 | 97661                           | 1             |
| 53                     | Snap Ring                  | 47667                           | 1             |
| 54                     | Bolt, SHCS                 | 97681                           | 1             |
| 55                     | Crank Bearing              | 97669                           | 1             |
| 56                     | Name Plate                 | 97680                           | 1             |
| 57                     | Set Screw                  | 37739                           | 1             |
| 58                     | Hex Nut                    | 37674                           | 2             |
| 59                     | Bridge Type Handle         | 97750                           | 1             |
| 60                     | Hex Bolt                   | 37741                           | 2             |
| 61                     | Lock Washer                | 37742                           | 2             |
| 62                     | Lock Washer                | 37754                           | 4             |
| 63                     | Internal Retaining Ring    | 47686                           | 1             |
| 64                     | Air Motor Assembly         | 47685                           | 1             |

\*See next page for 47685 parts

\*Ver página siguiente para piezas de 47685

Motors in need of repair should be sent back to Reed Manufacturing.

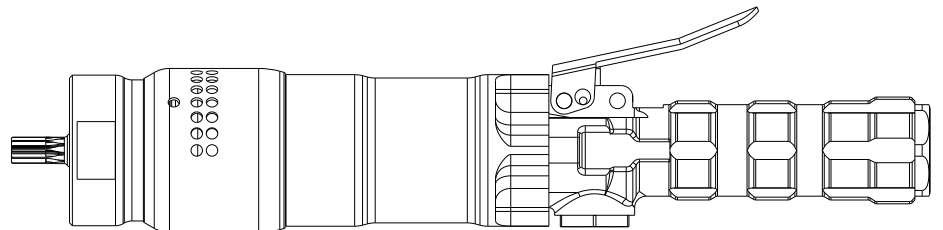
Please contact Reed Manufacturing to arrange the repair:  
reedsales@reedmfgco.com



## Parts List Lista de piezas

| Ref. No. | Description               | Item Code | Qty. Used |
|----------|---------------------------|-----------|-----------|
| 1        | Air Motor Assembly        | 47685     | 1         |
| 2        | Swivel Fitting            | 97727     | 1         |
| 3        | Handle Assembly, w/Safety | 07625     | 1         |
| 4        | Output Gear               | 97705     | 1         |

4  
Must be Replaced  
By REED



Side View