

**CODE NUMBER**

3453233

**DESCRIPTION**

1.5 gpf, Rough Brass Finish, Fixture Connection Top Spud, Single Flush, 11-12.75 L Dimension, Hardwired, Sensor-Operated, With Wall Box, Royal® Concealed Sensor Hardwired Urinal Flushometer.

**DETAILS**

- Flush Volume: 1.5 gpf (5.7 Lpf)
- Finish: Rough Brass (RB)
- Power Type: Hardwired (HW)
- Valve: Diaphragm
- Valve Body Material: Semi-red Brass
- Fixture Type: Urinal
- Fixture Connection: Top Spud
- Rough-In Dimension: 13 ½" (343mm)
- Spud Coupling: ¾" (19mm)
- Supply Pipe: ¾" (19mm)
- L Dimension: 11" - 12 ¾" (279 - 324mm) (11-12-3/4-LDIM)
- Wall Box: With (W/BOX)

**FEATURES**

Quiet, Concealed, Diaphragm Type, Rough Brass Urinal

- Diaphragm, Stop Seat and Vacuum Breaker to be molded from PERMEX® rubber compound for Chloramine resistance
- Non-Hold-Open Integral Solenoid Operator, Fixed Metering Bypass and No External Volume Adjustment to Ensure Water Conservation
- OPTIMA® EL-1500 Self-Adaptive Infrared Sensor with Indicator Light
- PERMEX® Synthetic Rubber Diaphragm with Dual Linear Filtered Bypass
- High Back Pressure Vacuum Breaker Flush Connection, Spud Coupling and Flanges for ¾" Exposed Top Spud
- 13" x 17" EASY ACCESS® Wall Box with Stainless Steel Access Panel and Vandal Resistant Screws
- ¾" I.P.S. Wheel Handle Bak-Chek® Angle Stop

**VIDEOS**

- ▶ [ESS Flushometer](#)

**COMPLIANCES & CERTIFICATIONS**

(ADA Compliant, cUPC Certified, BAA Compliant, UL Certified)

**RECOMMENDED SPECIFICATION**

Valve Body, Cover, Tailpiece and Control Stop shall be in conformance with ASTM Alloy Classification for Semi- Red Brass. Valve shall be in compliance with the applicable sections of ASSE 1037 and ANSI/ASME 112.19.2.

**ELECTRICAL SPECIFICATIONS**

- Arming Delay: 8 seconds
- Control Circuit: 24 VAC Input/24 VAC Output/Solid State
- Self-Adaptive Window: ±8
- Sensor Range: 15" - 30" (381 - 762mm)
- Solenoid Operator: 24 VAC
- Transformers:
  - 0345154
  - 0345999

**VALVE OPERATING PRESSURE (FLOWING)**

15-80 PSI (103-552 kPa). Specific fixtures may require greater minimum flowing pressure - consult manufacturer requirements.

**DOWNLOADS**

- [Sloan Concealed Installation Instructions](#)
- [Control Stop Repair and Maintenance Guide](#)
- [Flush Connections Flanges Repair and Maintenance Guide](#)
- [Tail Piece Repair and Maintenance Guide](#)
- [Optima ESS Repair and Maintenance Guide](#)
- [Additional Downloads](#)

**NOTES**

All information contained within this document subject to change without notice.

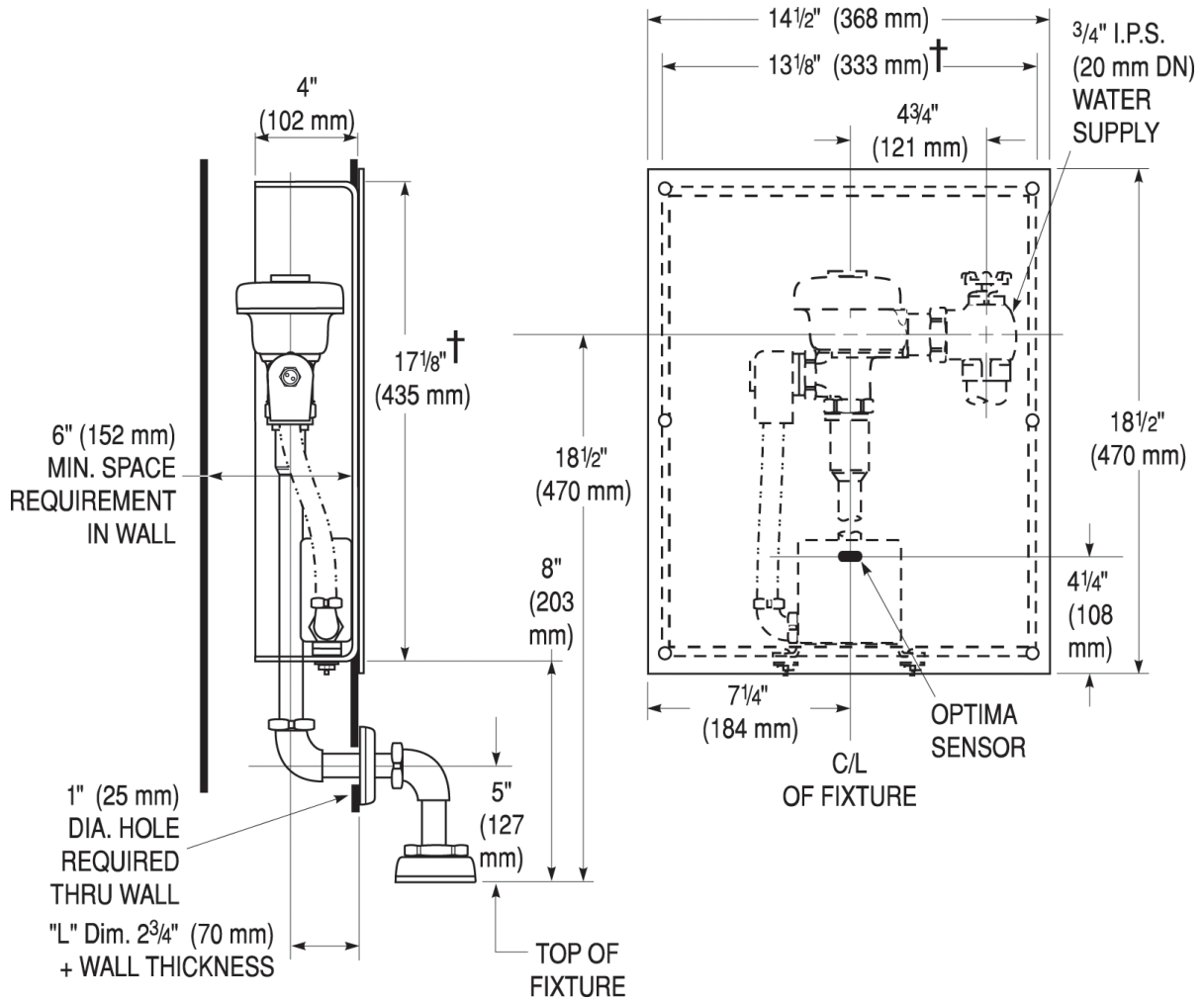
Looking for other variations of the ROYAL 197 ESS product?  
[View the general spec sheet with all options.](#)

Sloan 10500 Seymour Ave, Franklin Park, IL 60131

Phone: 800.982.5839 • Fax: 800.447.8329 • [sloan.com](http://sloan.com)

Find a compatible urinal for this flushometer.  
 Find a compatible water closet for this flushometer.

**ROUGH-IN**



Sloan 10500 Seymour Ave, Franklin Park, IL 60131  
 Phone: 800.982.5839 • Fax: 800.447.8329 • [sloan.com](http://sloan.com)