

see what Delta can do™

## BATHROOM FAUCET

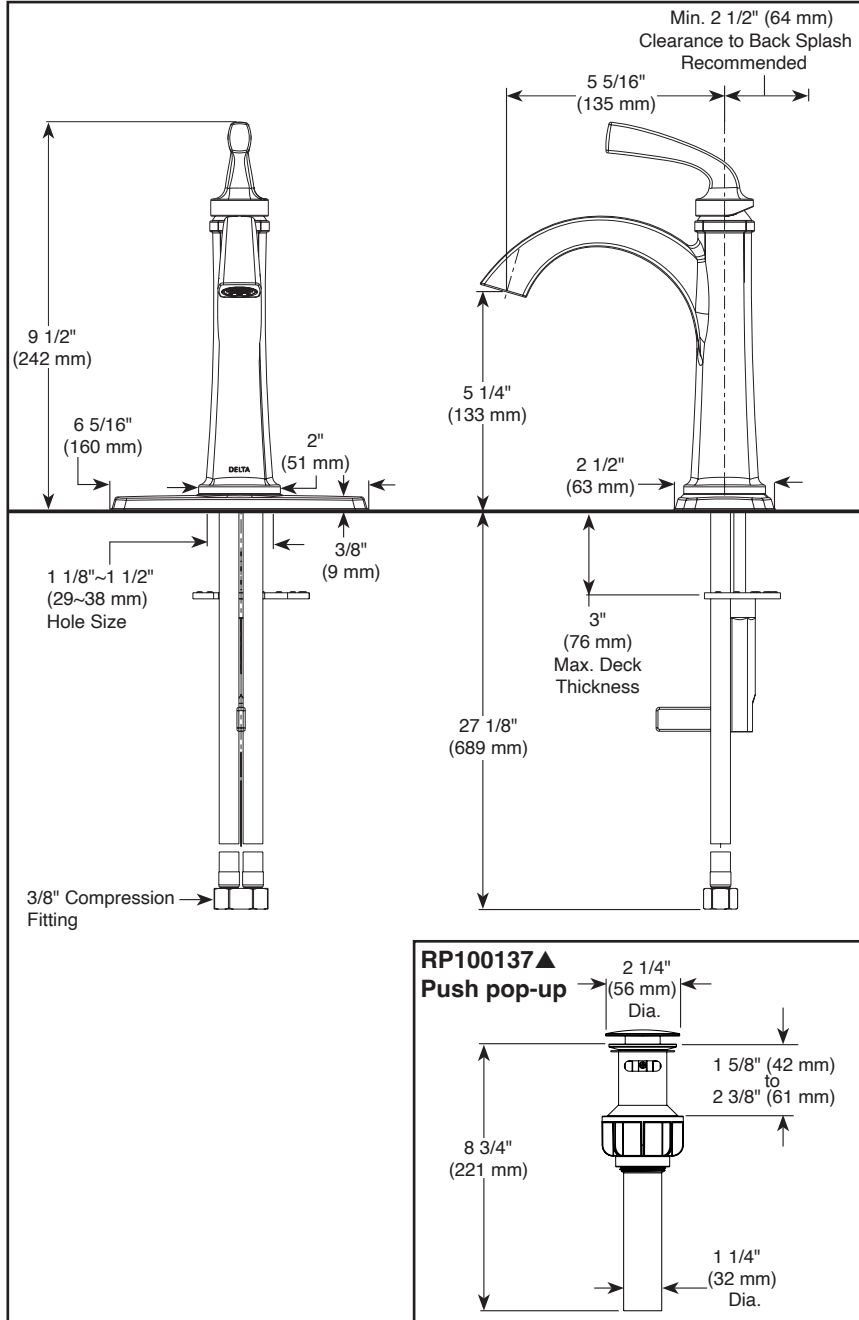
- Geist® Collection
- Single Handle Deck Mount

### STANDARD SPECIFICATIONS:

- Max flow rate 1.2 gpm @ 60 psi, 4.5 L/min @ 414 kPa
- Solid metal cast body
- One or three-hole mount (escutcheon included)
- Polymer braided flexible supply hose with 3/8" compression fitting thread connection
- Control mechanism is replaceable cartridge with ceramic plates
- Models have push pop-up with overflow

### WARRANTY

- Parts and Finish - Lifetime limited warranty; or for commercial purchasers, 10 years for multi-family residential (apartments and condominiums) and 5 years for all other commercial uses, in each case from the date the product is received by the original purchaser or their authorized representative (installation contractor, etc.).
- Please go to [www.deltafaucet.com](http://www.deltafaucet.com) for the complete details of our limited warranty.



▲ Designate proper finish suffix

Delta Faucet Company reserves the right (1) to make changes in specifications and materials, and (2) to change or discontinue models, both without notice or obligation. Dimensions are for reference only. See current full-line price book or [www.deltafaucet.com](http://www.deltafaucet.com) for finish options and product availability.

DSP-L-15864LF Rev. C



### COMPLIES WITH:

- ASME A112.18.1 / CSA B125.1
- ASME A112.18.2 / CSA B125.2
- EPA WaterSense®
- ♿ ICC/ANSI A117.1 - Valve control only

Delta Faucet Company

55 E. 111th Street, Carmel, Indiana 46280  
350 South Edgeware Road, St. Thomas, Ontario Canada N5P 4L1  
© 2024 Delta Faucet Company