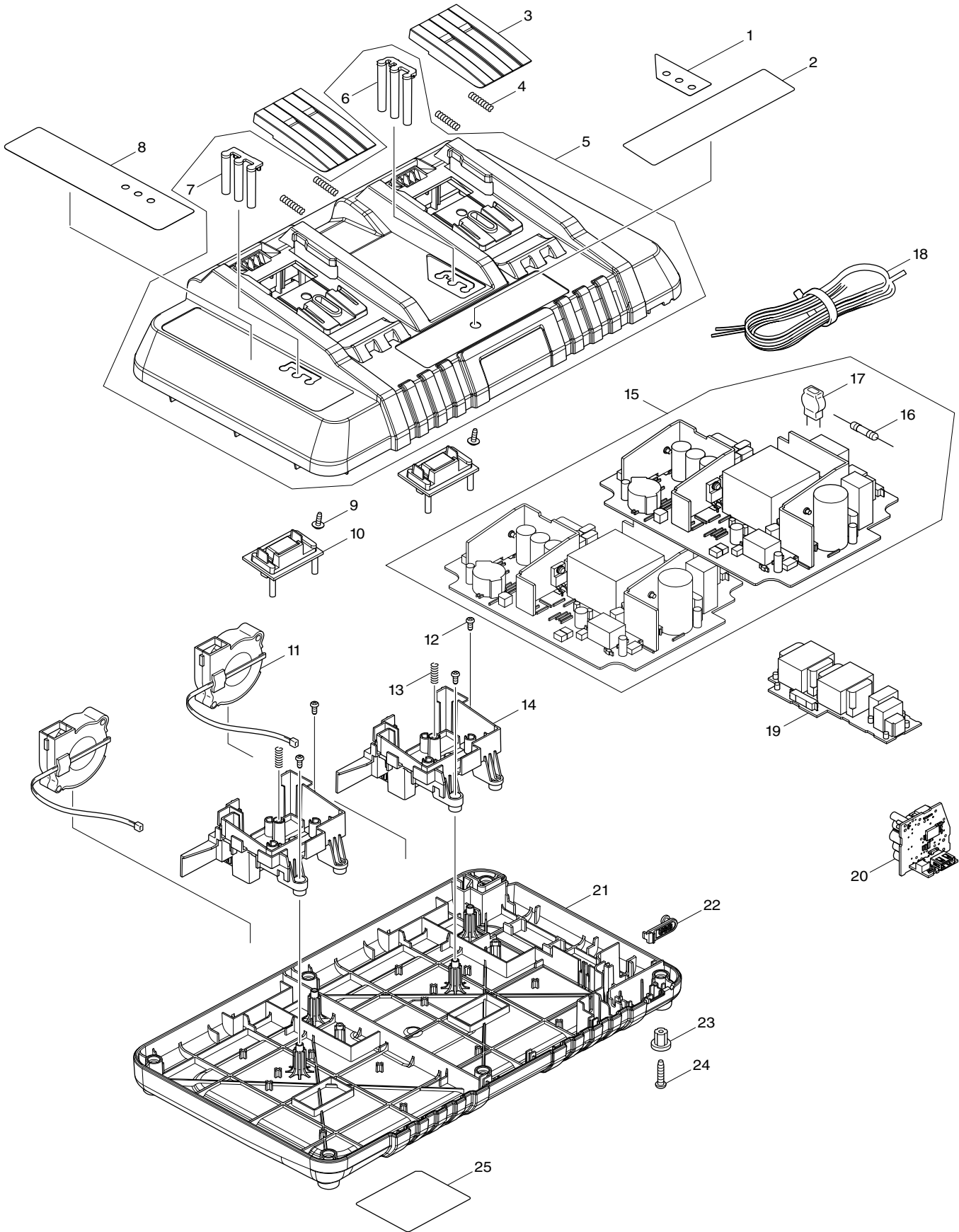




DC18RD



Products with multiple versions are listed in subsiding order with the newest version on top not indented.

| Section | Fig. No. | Part No. | Description | DC18RD | Tech Bulletin | Notes |
|---------|----------|----------|----------------------------|--------|---------------|-----------|
| 1 | 1 | 804Y51-3 | INDICATION LABEL | 1 | | |
| 1 | 2 | 804Y52-1 | MAKITA LOGO LABEL | 1 | | |
| 1 | 3 | 455546-5 | TERMINAL COVER | 2 | | |
| 1 | 4 | 231474-6 | COMPRESSION SPRING 4 | 4 | | |
| 1 | 5 | 142845-1 | CHARGER CASE COMPLETE | 1 | | INC 6,7 |
| 1 | 6 | 455402-9 | LENS B | 1 | | |
| 1 | 7 | 455401-1 | LENS A | 1 | | |
| 1 | 8 | 804Y47-4 | CHARGING CONDITION LABEL | 1 | | |
| 1 | 9 | 266278-7 | TAPPING SCREW FLANGE BT3X1 | 2 | | |
| 1 | 10 | 632E11-3 | TERMINAL UNIT | 2 | | |
| 1 | 11 | 638499-5 | SCIROCCO FAN | 2 | | |
| 1 | 12 | 266764-8 | TAPPING SCREW 3X8 | 4 | | |
| 1 | 13 | 233194-8 | COMPRESSION SPRING 4 | 2 | | |
| 1 | 14 | 455399-2 | TERMINAL BASE | 2 | | |
| 1 | 15 | 620203-6 | CHARGING CIRCUIT | 2 | | INC 16,17 |
| 1 | 16 | 652802-6 | FUSE | 1 | | |
| 1 | 17 | 647321-5 | VARISTOR | 1 | | |
| 1 | 18 | 667852-8 | VINYL CORD | 1 | | |
| 1 | 19 | 620325-2 | FILTER CIRCUIT | 1 | | |
| 1 | 20 | 620412-7 | USB CIRCUIT | 1 | | |
| 1 | 21 | 455398-4 | CHARGER CASE COVER | 1 | | |
| 1 | 22 | 455403-7 | USB COVER | 1 | | |
| 1 | 23 | 286255-3 | CAP 13 | 4 | | |
| 1 | 24 | 266426-8 | TAPPING SCREW 4X20 | 6 | | |
| 1 | 25 | 850E35-9 | DC18RD NAME PLATE | 1 | | |
| 1 | E01 | 804Y49-0 | CAUTION LABEL | 1 | | |