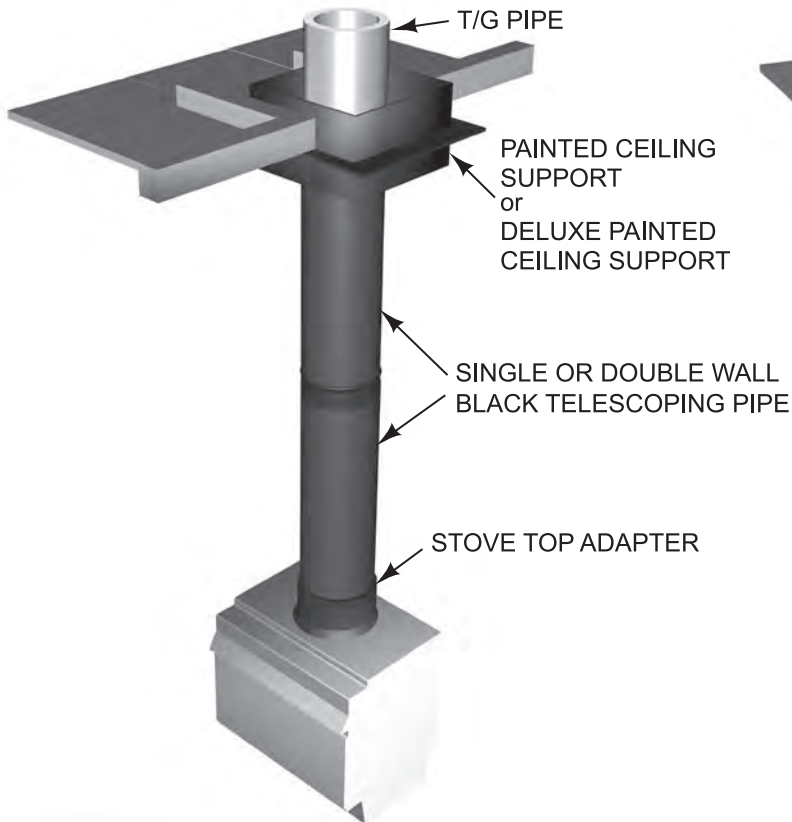


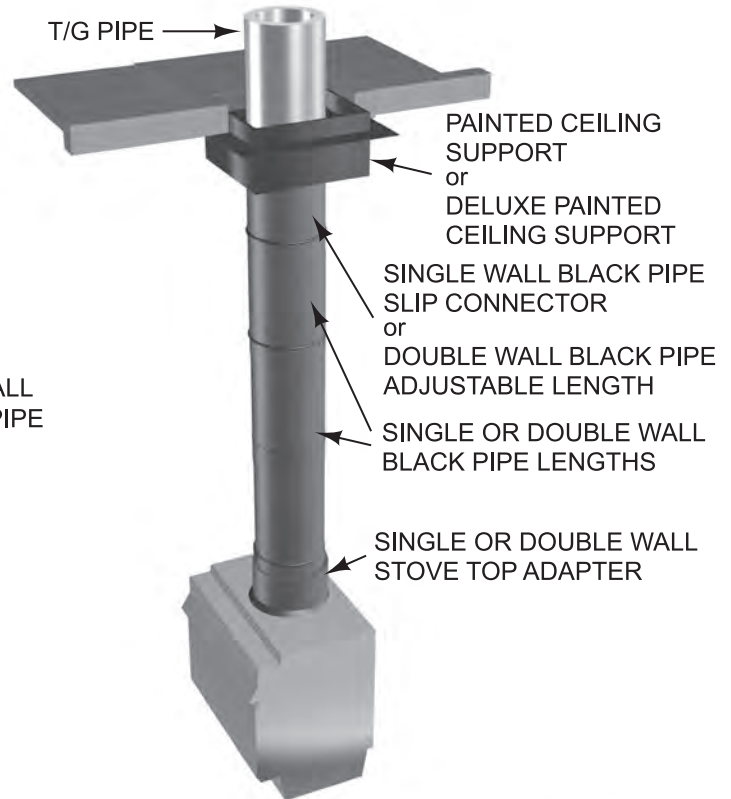
Painted Flat-Matte Black Stovepipe – Single Wall and Double Wall

- The perfect companion to Temp/Guard Chimney.
- Double Wall Warnock Hersey tested and listed to UL 103 with 6" clearance to combustibles.
- Single Wall Stovepipe and the casing of Double Wall Stovepipe are made of heavy-duty 24-gauge steel.
- Continuous laser welded flue and casing allow for clean appearance and installation.

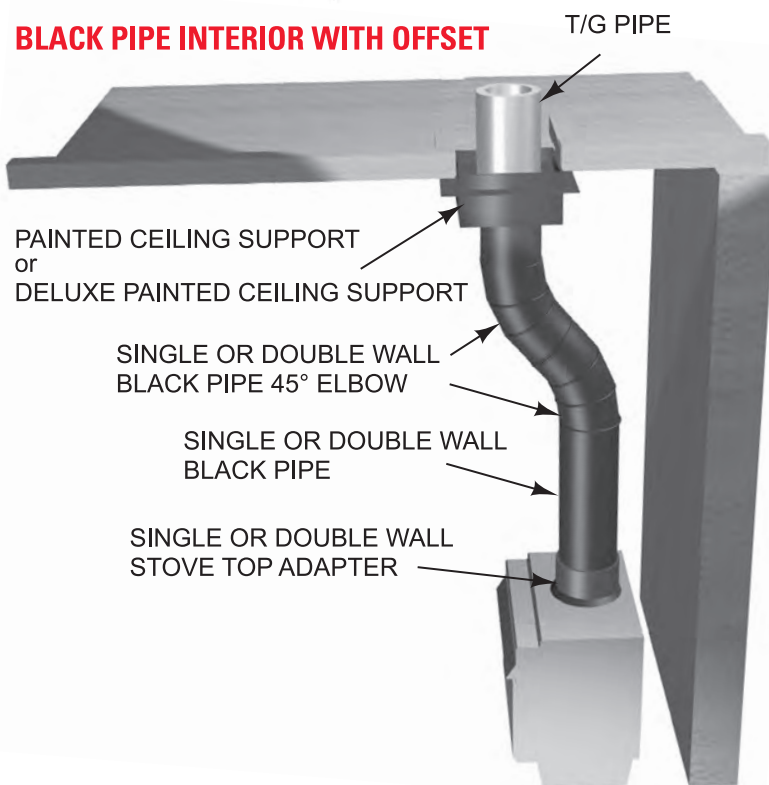
BLACK PIPE TELESCOPING PIPE SECTIONS



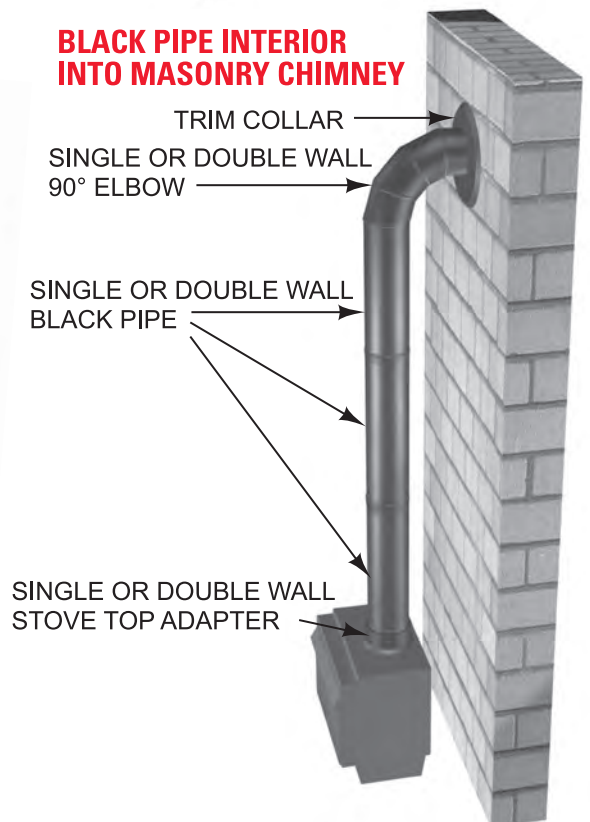
BLACK PIPE – RIGID PIPE SECTIONS



BLACK PIPE INTERIOR WITH OFFSET

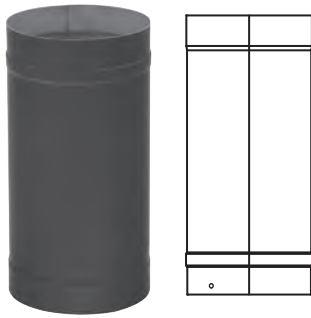


BLACK PIPE INTERIOR INTO MASONRY CHIMNEY



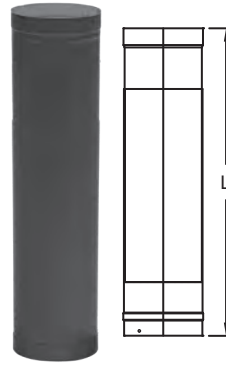
Note: Pipe overlaps 1" when joined together. Therefore, assembled length is 1" less than listed length.

PIPE SECTION – SW



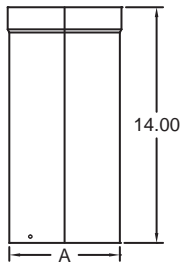
SIZE	LENGTHS		
	12"	24"	48"
6"	X	X	X
7"	X	X	
8"	X	X	X

TELESCOPING LENGTH – SWTL



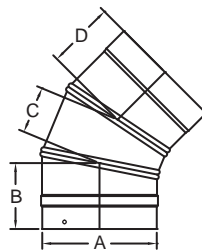
SIZE	MODEL TL48		MODEL TL66	
	MIN L	MAX L	MIN L	MAX L
6"	26.00"	48.00"	36.00"	66.00"
7"	26.00"	48.00"	36.00"	66.00"
8"	26.00"	48.00"	36.00"	66.00"

SLIP CONNECTOR – SW14S



SIZE	A
6"	6.00"
7"	7.00"
8"	8.00"

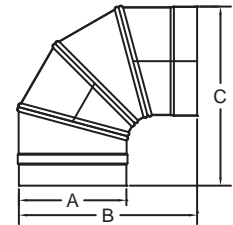
45° ELBOW – SW45



SIZE	A	B	C	D
6"	6.00"	3.50"	2.38"	3.63"
8"	8.00"	4.63"	5.00"	–

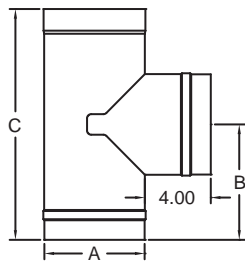
Note: Two-piece elbow for 8" diameter.

90° ELBOW – SW90



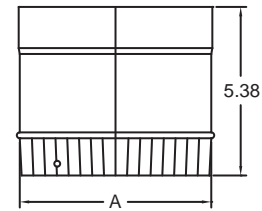
SIZE	A	B	C
6"	6.00"	10.13"	10.38"
7"	7.00"	11.88"	12.00"
8"	8.00"	12.25"	12.50"

TEE W/TEE CAP – SWT



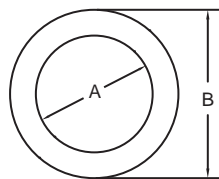
SIZE	A	B	C
6"	6.00"	7.00"	14.00"
8"	8.00"	8.00"	16.00"

STOVE TOP ADAPTER – SWA1



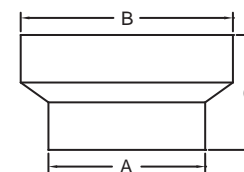
SIZE	A
6"	6.00"
7"	7.00"
8"	8.00"

TRIM COLLAR – SWTC



SIZE	A	B
6"	6.13"	8.88"
8"	8.13"	10.88"

INCREASER – SWI8



SIZE	A	B	C
6" to 8"	6.00"	8.00"	4.37"
7" to 8"	7.00"	8.00"	3.75"

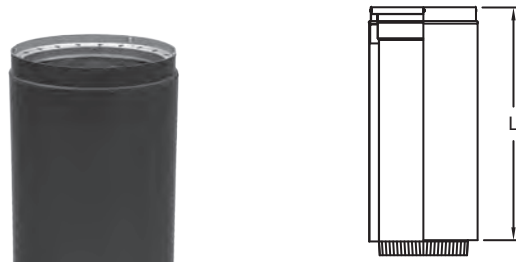
Note: Pipe overlaps 1½" when joined together. Therefore, assembled length is 1½" less than listed length.

PIPE SECTION – DWB



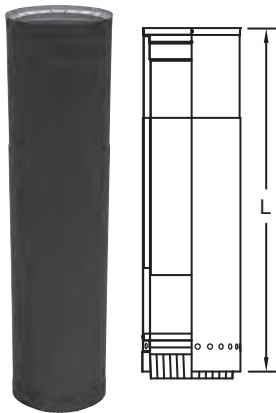
SIZE	LENGTHS			O.D.
	12"	24"	48"	
6"	X	X	X	7.00"
8"	X	X	X	9.00"

ADJUSTABLE LENGTHS – DWB8A & 18A



SIZE	MODEL 8A		MODEL 18A	
	MIN L	MAX L	MIN L	MAX L
6"	3.00"	6.00"	6.00"	16.00"
8"	3.00"	6.00"	6.00"	16.00"

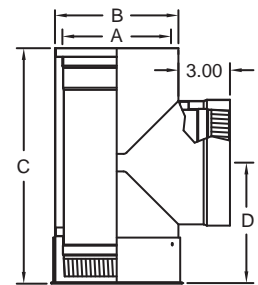
TELESCOPING LENGTH – DWBTL



SIZE	MODEL TL48		MODEL TL66	
	MIN L	MAX L	MIN L	MAX L
6"	26.00"	48.00"	36.00"	66.00"
8"	26.00"	48.00"	36.00"	66.00"

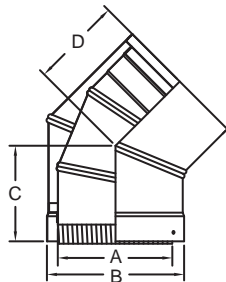
Built-in Stove Top adapter.

TEE – W/TEE CAP – DWBT



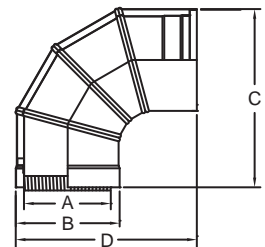
SIZE	A	B	C	D
6"	6.00"	7.00"	13.37"	6.82"
8"	8.00"	9.00"	15.12"	7.61"

45° ELBOW – DWB45



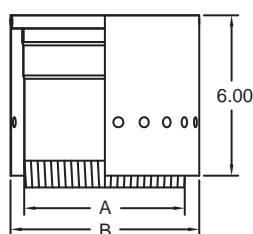
SIZE	A	B	C	D
6"	6.00"	7.00"	5.00"	4.38"
8"	8.00"	9.00"	4.60"	4.80"

90° ELBOW – DWB90



SIZE	A	B	C	D
6"	6.00"	7.00"	12.50"	12.50"
8"	8.00"	9.00"	13.50"	13.50"

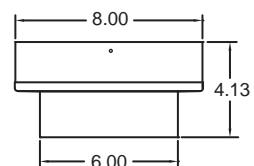
STOVE TOP ADAPTER – DWBA



SIZE	A	B
6"	6.00"	7.00"
8"	8.00"	9.00"

Note: DWBA **must** be used when installing a Double Wall pipe system, unless starter piece is a telescoping length.

INCREASER – DWBI-8



SIZE
6.00" to 8.00"