



# SERVICE PARTS LIST

**BULLETIN NO.**  
**54-00-3050**

SPECIFY CATALOG NO. AND SERIAL NO. WHEN ORDERING PARTS		REVISED BULLETIN	DATE
<b>M12 FUEL™ INSIDER™ Extended Reach Box Ratchet</b>			Nov. 2023
<b>CATALOG NO.</b>	<b>3050-20</b>	<b>SERIAL NUMBER</b>	<b>N77A</b>
WIRING INSTRUCTION			

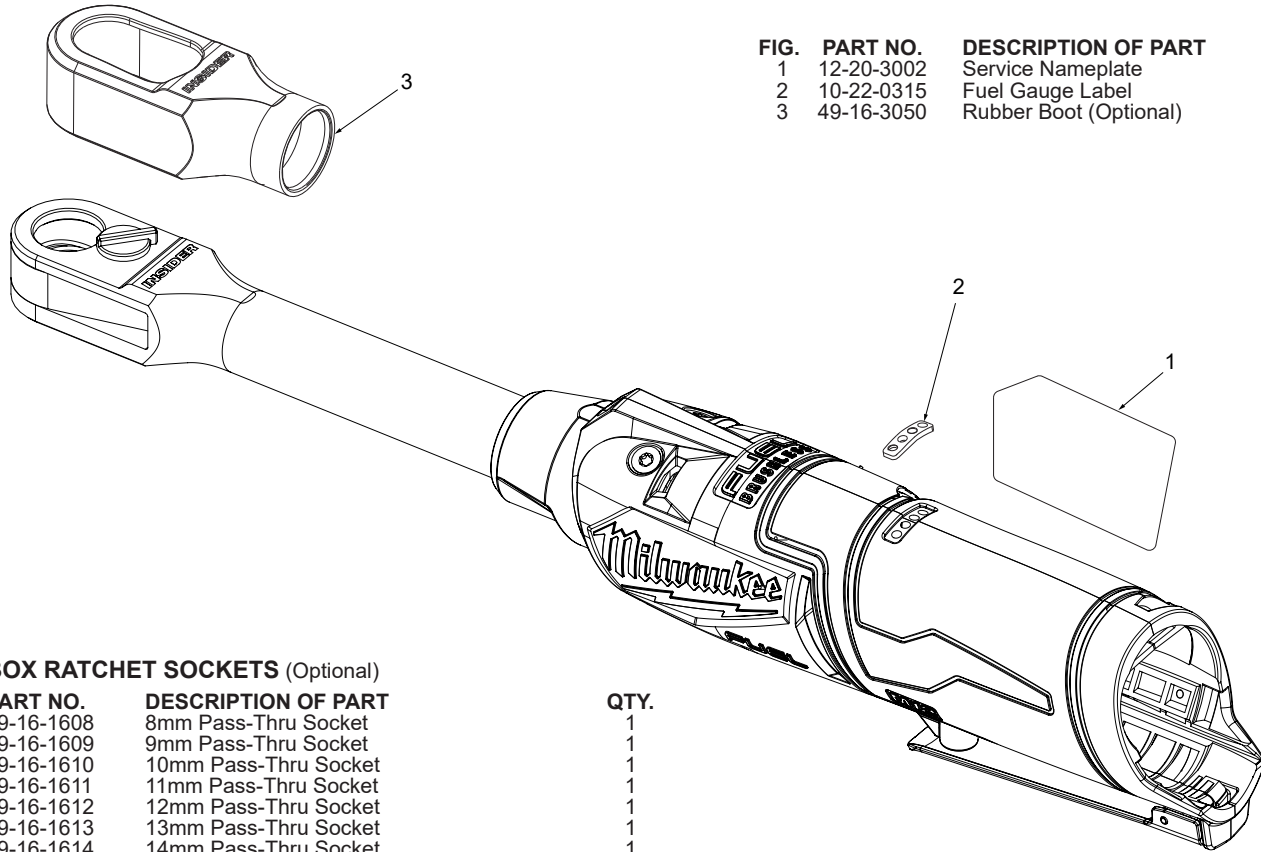
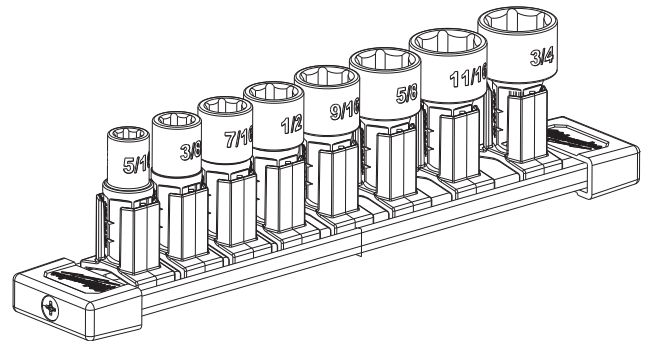


FIG.	PART NO.	DESCRIPTION OF PART	NO. REQ.
1	12-20-3002	Service Nameplate	(1)
2	10-22-0315	Fuel Gauge Label	(1)
3	49-16-3050	Rubber Boot (Optional)	(1)

**BOX RATCHET SOCKETS (Optional)**

PART NO.	DESCRIPTION OF PART	QTY.
49-16-1608	8mm Pass-Thru Socket	1
49-16-1609	9mm Pass-Thru Socket	1
49-16-1610	10mm Pass-Thru Socket	1
49-16-1611	11mm Pass-Thru Socket	1
49-16-1612	12mm Pass-Thru Socket	1
49-16-1613	13mm Pass-Thru Socket	1
49-16-1614	14mm Pass-Thru Socket	1
49-16-1615	15mm Pass-Thru Socket	1
49-16-1616	16mm Socket	1
49-16-1617	17mm Socket	1
49-16-1618	18mm Socket	1
49-16-1619	19mm Socket	1
49-16-1621	21mm Socket	1
49-16-1641	5/16" Pass-Thru Socket	1
49-16-1642	3/8" Pass-Thru Socket	1
49-16-1643	7/16" Pass-Thru Socket	1
49-16-1644	1/2" Pass-Thru Socket	1
49-16-1645	9/16" Pass-Thru Socket	1
49-16-1646	5/8" Socket	1
49-16-1647	11/16" Socket	1
49-16-1648	3/4" Socket	1
49-16-1640	SAE Pass-Thru Socket Set (shown above)	1
49-16-1660	1/4" Anvil Adapter	1
49-16-1661	3/8" Anvil Adapter	1
49-16-1662	1/2" Anvil Adapter	1
49-16-1663	1/4" Hex Adapter	1



**Please contact 1.800.SAWDUST (1.800.729.3878) to initiate service or check status of a service ticket. You can also return it directly to a Milwaukee factory Service Center or through E-Service.**

**Send your tool using E-Service at [www.milwaukeetool.com/e-service](http://www.milwaukeetool.com/e-service). A copy of the proof of purchase should be included with any returned product. Disassembly is not recommended and could void the warranty.**