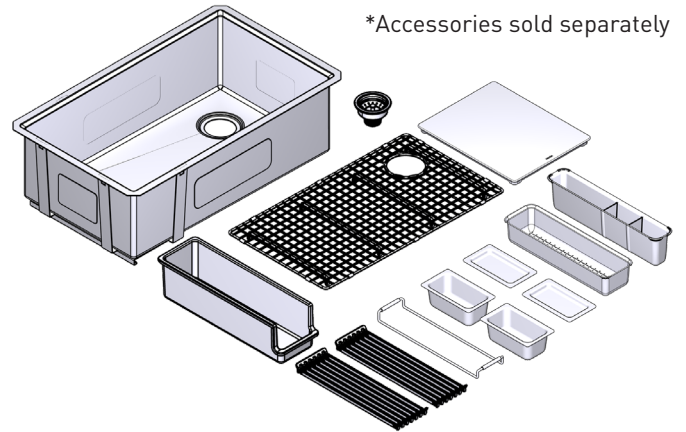


Model Number	Depth-Inches	Drain Placement
GS161400R	10"	Rear (Right)



SINK DESCRIPTION

- 1600 Series single bowl under mount sink
- 16 gauge stainless steel, brushed finish
- 10 mm corner radius
- SoundSHIELD™ sound absorbing system
- Easy Clean Angled Ledge
- Sloped Basin for Drainage

STANDARDS

- Third party certified to meet ASME A112.19.3/CSA B45.4 and all applicable specifications referenced therein

WARRANTY

- Lifetime limited warranty to the original homeowner
- 10 year limited warranty when used in a Multi-family installation
- 5 year limited warranty when used in a Commercial installation
- 1 year limited warranty on accessories
- Visit www.moen.com/customer-support/warranty for complete details and limitations

SINK DIMENSIONS

- Minimum cabinet size: 36"
- Overall: 33" x 19-5/8"
- Bowl: 30-3/8" x 17-1/8"
- Drain Size: 3-1/2"

CUT OUT DIMENSIONS

- Cut out template included

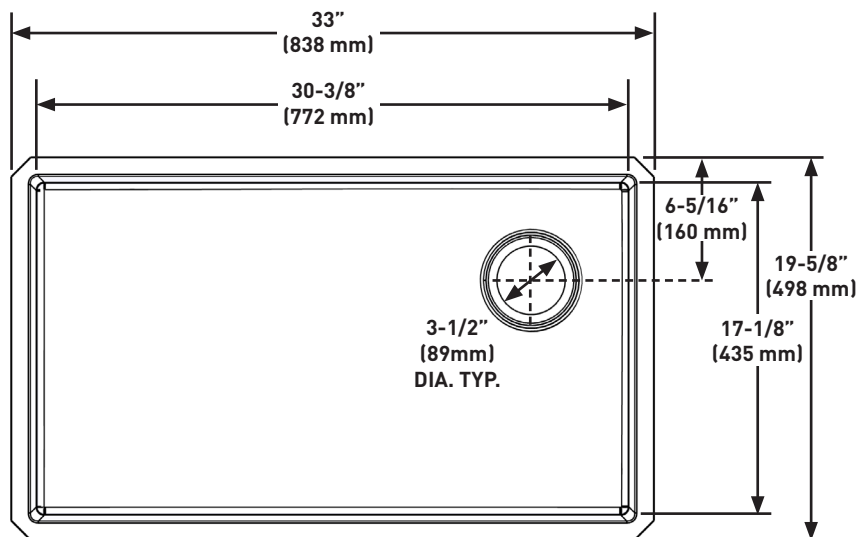
ACCESSORIES

Hand wash only

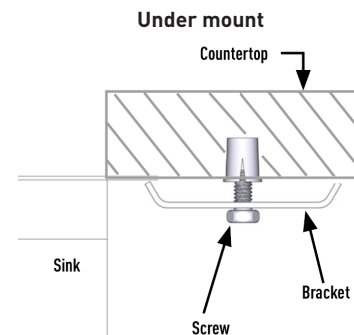
- Sink Grid
 - Drain Assembly and Basket Strainer
 - Clear Underneath Storage Bin
 - White Oak or Acacia Cutting Board – sold separately
 - Stainless Steel Prep Bin Holder – sold separately
 - Stainless Steel Colander – sold separately
 - Stainless Steel Utensil Holder – sold separately
 - Stainless Steel Prep Bins & Clear Lids (x2) – sold separately
- Dishwasher safe
- Stainless Steel Drying Racks (x2) – sold separately

CRITICAL DIMENSIONS

(DO NOT SCALE)



Installation Detail



CRITICAL DIMENSIONS DO NOT SCALE