

MOEN®

Specifications

DESCRIPTION

- Metal construction with various finishes identified by suffix
- Shower Only kits include showerhead, arm, flange
- Tub/shower kits include showerhead, arm, flange and diverter spout

OPERATION

- Flow lever operates counterclockwise through a 100° arc with shut off at 6 o'clock and maximum flow at the 2 o'clock position. Shut off in clockwise direction
- Temperature lever operates through a 200° arc with maximum cold at full clockwise rotation and maximum hot at full counterclockwise rotation
- Factory established temperature range from 70°F (21°C) to 120°F (49°C)
- Adjustable temperature limit stop to control maximum hot water temperature
- Thermostatic and pressure balancing mechanism maintains selected discharge temperature to +/- 3.6°F (+/- 2°C)

FLOW

- EP suffix models contain a showerhead limited to 1.75 gpm (6.6 L/min)

CARTRIDGE

- 1214 Thermostatic and pressure balancing cartridge design with non metallic/nonferrous materials
- Not compatible with back to back installations

STANDARDS

- Third party certified to ASME A112.18.1/CSA B-125- 1, ASSE 1016/ASME A112.1016/CSA B.125.16 and all applicable requirements reference therein
- Moen's M-CORE™ thermostatic and pressure balance system is capable of meeting the pressure and temperature variation requirements of ASSE 1016/ASME A112.1016/CSA B125.16 when tested as low as 1.5 gpm (5.7 L/min)
- EP suffix models are third party certified to EPA WaterSense®
- ADA compliant for lever handle

WARRANTY

- Lifetime limited warranty against material or manufacturing defects to the original homeowner
- 10 year limited warranty when used in a multifamily installation
- 5 year limited warranty when used in a commercial installation
- Visit www.moen.com/support for complete details and limitations

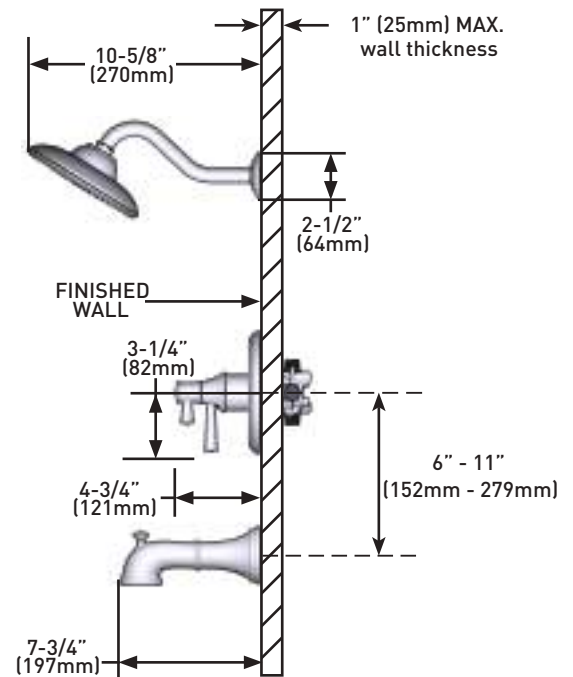
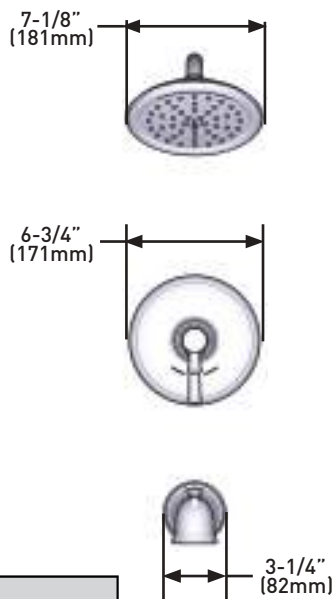


Belfield™ M-CORE™ 4-Series Tub/Shower Trim

MODELS: UT4313EP Series - Tub/Shower Trim
UT4312EP Series - Shower Trim
UT4311 Series - Valve Trim

NOTE:

Valves: U130 Series and U140 Series



CRITICAL DIMENSIONS DO NOT SCALE