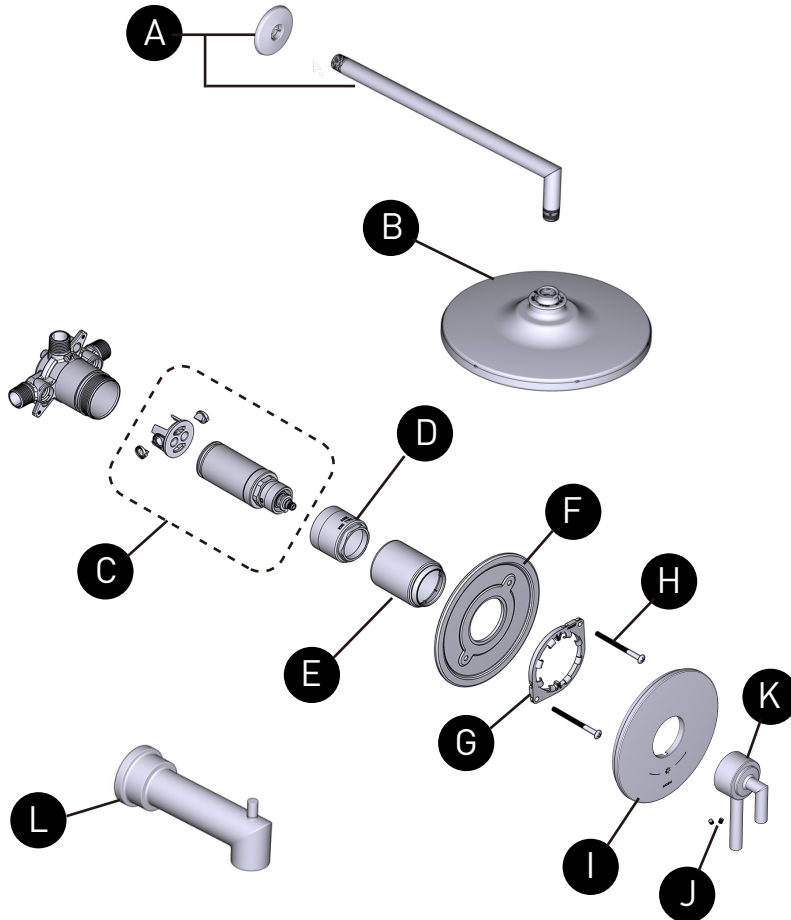


# MOEN®

ORDER BY PART NUMBER

VALVE TRIM ONLY	SHOWER TRIM ONLY	TUB SHOWER TRIM	FINISH
UTS42001	UTS42002EP	UTS42003EP	Chrome
UTS42001BL	UTS42002EPBL	UTS42003EPBL	Matte Black

EP=1.75 GPM HEAD



## Illustrated Parts ARRIS™

Thermostatic M-CORE™ 4-Series Trim

ID	Kit Description	Kit Number	Finish
A	Shower Arm & Flange	S110	Chrome
		S110BL	Matte Black
B	Shower Head 1.75 GPM	S112EP	Chrome
		S112EPBL	Matte Black
C	Cartridge Assembly	1214	N/A
D	Cartridge Nut	213751	N/A
E	Sleeve	213779	Chrome
		213779BL	Matte Black
F	Backing Plate	200766	N/A
G	Snap Ring	200772	N/A
H	Backing Plate Screws (2)	200764	N/A
I	Escutcheon Kit	213757	Chrome
		213757BL	Matte Black
J	Set Screw (Requires 3/32" Hex Key)	207317	N/A
K	Handle Kit	213769	Chrome
		213769BL	Matte Black
L	Tub Spout	165914	Chrome
		165914BL	Matte Black

### OPTIONAL: 1" Handle Extension Kit

MODEL	FINISH
213752	Chrome
213752BL	Matte Black

