



ASH VACUUM

Operator's Manual

PAVC101



TOLL-FREE
HELP LINE: **888-552-8665**

⚠ WARNING: To reduce the risk of injury, user must read and understand this operator's manual before operating this tool.

SAVE THIS MANUAL FOR FUTURE REFERENCE.



IMPORTANT SAFETY INSTRUCTIONS

READ AND UNDERSTAND ALL WARNINGS, CAUTIONS AND OPERATING INSTRUCTIONS BEFORE USING THIS EQUIPMENT. Failure to follow all instructions listed below may result in electric shock, fire and/or serious personal injury.

SAVE THESE INSTRUCTIONS



CAUTION:

- **Do not vacuum hot ashes, coals, burning embers** or other hot objects such as cigarettes.
- **Vacuum up only cool materials not exceeding 140° F (60° C)**; doing otherwise is a fire risk.
- **Empty all ash from the canister and clean the ash from filter** before using to vacuum up other types of material.
- **NEVER vacuum liquids with this product.** Use this machine to vacuum dry material only.
- **To reduce the risk of hearing damage, wear hearing protection** when using for extended periods or in noisy work area.



WARNING: TO REDUCE THE RISK OF FIRE, ELECTRIC SHOCK OR PERSONAL INJURY

- **Keep children away from this vacuum.** Do not allow vacuum to be used as a toy.
- **Do not run this vacuum unattended at anytime.**
- **Keep hair, loose clothing and all parts of the body away** from openings and moving parts.
- **Always wear safety goggles** (complying with ANSI Z87.1 (or in Canada CSAZ94.3) when operating the vacuum. Operation of vacuum can result in foreign objects being blown into your eyes, which may cause eye injury.
- **Do not use in wet environments or expose to rain.** Store unit indoors or other dry location.
- **Do not touch or handle the plug, cord or the vacuum with wet hands.**
- **Do not vacuum up or operate the vacuum near flammable liquids,** gases, toxic or explosive vapors given off by gasoline or other fuels, paint thinner, oil based paint, lighter fluids, hydrogen, natural gas, etc or explosive dusts like coal dust, magnesium dust, grain dust or gun powder. Sparks from arcing motor brushes inside the motor can ignite flammable vapors or dust.
- **Do not vacuum toxic, carcinogenic, combustible or other hazardous materials** (e.g. asbestos, arsenic, barium, lead, pesticides, insecticides,) or other health endangering materials.
- **Do not vacuum anything that is burning or smoking,** e.g. embers, cigarettes, matches, pellets, etc.

- **Do not abuse the cord.** Never carry or pull the vacuum by the cord, use as a handle or pull the cord to disconnect from power outlet. To unplug from power outlet, grasp the plug, not the cord.
- **Keep cord from heated surfaces, oil and sharp edges.** Do not close doors on the cord or pull around corners with sharp edges.
- **Cords can become trip hazards. Do not leave the cord lying on floor.** Pick up the cord when you have completed cleaning work.
- **Do not leave the vacuum plugged in when unattended or not in use.** Unplug from power source when not in use and before servicing.
- **Do not drive or run over the cord.**
- **Do not use with damaged cord, plug or other parts** or if vacuum is not functioning as it should, has been dropped, damaged, left outdoors, or dropped in water, return it to a service center.
- **Do not use the Ash Vacuum with a torn filter** or without the filter installed.
- **Turn the machine off before unplugging.**
- **Unplug the product from the power source before changing or cleaning the filter** to reduce the risk of injury from accidental starting.
- **Do not place, drop or insert any object into ventilation openings.** Do not operate the vacuum with any ventilation openings blocked; keep free of dust, lint, hair or anything else that may reduce airflow.
- **Do not store the vacuum immediately** after ash removal or other use in a confined area or enclosed space. Allow the motor to cool and remove ash from canister before storage.
- **When using as a blower**
 - Direct air discharge only at work area.
 - Keep children away when blowing.
 - Do not direct air at bystanders.
 - Do not use blower for any job except blowing dirt and debris.
 - Do not use blower as a sprayer.
 - Wear safety eye wear.
 - For dusty operations, wear a dust mask.



FIRE HAZARD WARNING

- **The Ash Vacuum is intended for vacuuming cold or warm ashes only.** Using the vacuum as a shop vacuum or for general household use could increase the risk of fire by depositing combustible material into the canister prior to vacuuming ashes.
- **Use caution when vacuuming materials that appear to have cooled, but may actually still be hot inside.** Airflow created during vacuuming may cause hot ash to ignite again. As you vacuum, constantly check the nozzle, hose, canister, filter and motor for excessive temperatures. If you notice an increase in temperature, turn off the vacuum immediately. Unplug the vacuum and remove the vacuumed material from the canister and filter bag. Allow the vacuum and the material to be vacuumed to cool before continuing to vacuum.

EXTENSION CORDS

Double insulated equipment can use either a two or three wire extension cord. As the distance from the power supply outlet increases, you must use a heavier gauge extension cord. Using extension cords with inadequately sized wire causes a serious drop in voltage, resulting in loss of power and possible tool damage. Refer to the table shown below to determine the required minimum wire size.



Guidelines for Using Extension Cords

- If you are using an extension cord outdoors, be sure it is marked with the suffix "W-A" ("W" in Canada) to indicate that it is acceptable for outdoor use.
- Be sure your extension cord is properly wired and in good electrical condition. Always replace a damaged extension cord or have it repaired by a qualified person before using it.
- Protect your extension cords from sharp objects, excessive heat, and damp or wet areas.

Recommended Minimum Wire Gauge for Extension Cords (120 Volt)

Nameplate Amperes (At Full Load)	Extension Cord Length					
	25 Feet	50 Feet	75 Feet	100 Feet	150 Feet	200 Feet
0-2.0	18	18	18	18	16	16
2.1-3.4	18	18	18	16	14	14
3.5-5.0	18	18	16	14	12	12
5.1-7.0	18	16	14	12	12	10
7.1-12.0	18	14	12	10	8	8
12.1-16.0	14	12	10	10	8	6
16.1-20.0	12	10	8	8	6	6

DOUBLE-INSULATED INSTRUCTIONS

 **WARNING:** In a double-insulated vacuum, two systems of insulation are provided instead of grounding. No means of grounding is provided on a double-insulated appliance, nor should a means for grounding be added. Servicing a double-insulated Vacuum requires extreme care and knowledge of the system, and should be done only by qualified service personnel. Replacement parts for a double-insulated Vacuum must be identical to the parts they replace. Your double-insulated Vacuum is marked with the words "DOUBLE INSULATED" and the symbol  (square within a square) may also be marked on the appliance.

POLARIZED PLUG

Double insulated products are equipped with a polarized plug (one blade is wider than the other). This plug will fit in a polarized outlet only one way. If the plug does not fit fully in the outlet, reverse the plug. If it still does not fit, contact a qualified electrician to install a polarized outlet. Do not change the plug in any way. Double insulation eliminates the need for the three wire grounded power cord and grounded power supply system.

SAVE THESE INSTRUCTIONS

SPECIFICATIONS

Model #:-----PAVC101
 Rated Voltage:-----120V AC, 60Hz
 Rated Input Power:-----10 Amp
 Canister Capacity:-----3 Gallons
 Power Cord Length:-----6 Foot
 Noise Level:-----79 dB
 Net Weight:-----9 lb.

KNOWING YOUR ASH VACUUM

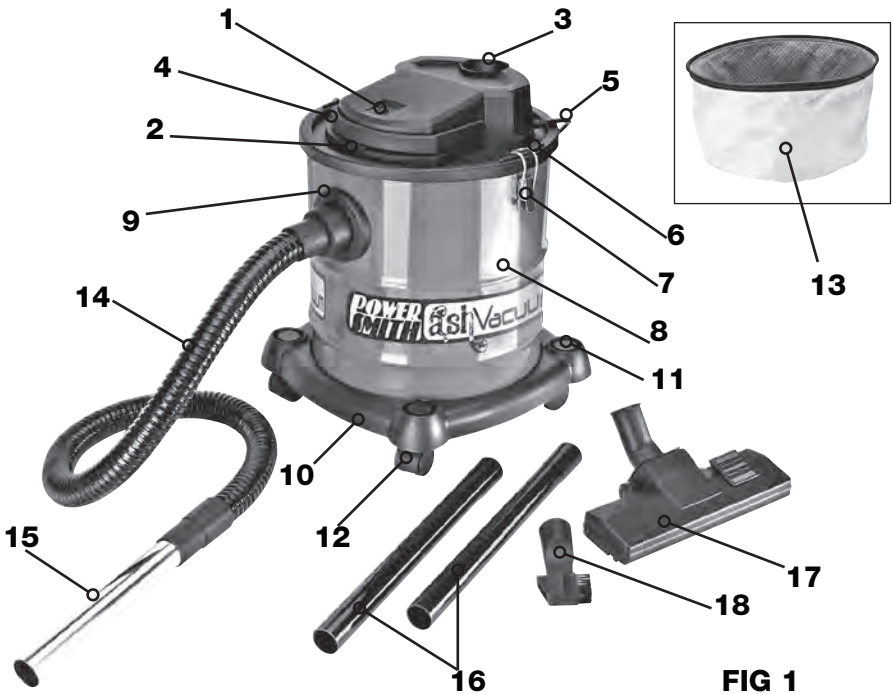


FIG 1

- | | |
|--------------------|-----------------------------|
| 1. Power Switch | 10. Base |
| 2. Full Indicator | 11. Storage Ring |
| 3. Exhaust Port | 12. Caster |
| 4. Carrying Handle | 13. Filter |
| 5. Power Cord | 14. Hose |
| 6. Clamp Landing | 15. Metal Nozzle |
| 7. Clamp | 16. Extension Tubes |
| 8. Ash Canister | 17. Carpet/Floor Attachment |
| 9. Vacuum Port | 18. Crevice Tool |

UNPACKING AND CONTENT

IMPORTANT! Due to modern mass production techniques, it is unlikely the tool is faulty or that a part is missing. If you find anything wrong, do not operate the tool until the parts have been replaced or the fault has been rectified. Failure to do so could result in serious personal injury.

CONTENTS IN PACKAGE

Description	QTY	Description	QTY
Motor Housing	1	Crevice Tool	1
Metal Canister, Base attached	1	Floor/Carpet Tool	1
Filter	1	Plastic Extension Tubes	2
Flexible Hose, Metal lined	1	Casters	4
Metal Nozzle	1	Operator's Manual	1

ASSEMBLY INSTRUCTIONS

⚠ WARNING: For your own safety, never connect plug to power source outlet until all assembly steps are complete and you have read and understood the safety and operation instructions. Do not operate the vacuum with any parts damaged or missing.

INSTALLING THE CASTERS

1. With the motor housing removed and vacuum canister empty, turn canister over (upside down) so the black base is now on top. Be sure the canister is not resting on the clamps. See figure 2
2. Locate the small diameter hole in a corner of the base and insert the caster stem into the hole. Using firm and steady pressure, press the caster downward until it will go no further. See figure 2
3. Repeat Step 2, installing a caster in each of the remaining 3 corners of the vacuum base.
4. Turn the canister over so that canister and base are now resting on the four installed casters. The unit should rest evenly on the 4 casters; if not, one or more casters is not completely inserted.

INSTALLING THE FILTER, MOTOR AND HOSE

1. The filter bag used in your ash vacuum utilizes a special two-part construction giving it 2 (two) distinct surfaces. The outer surface of the filter is smooth with a silver like shiny appearance, while the inner surface has a gray woven fabric look.
2. Lower the filter bag into the metal canister with the shiny silver surface facing outward and rubber gasket at the top. See figure 3.
3. Lower the filter until the rubber gasket rests evenly on the lip of the metal canister.
4. If necessary, adjust the rubber gasket so it completely covers the canister lip without any gaps.
5. Insert the motor housing into the canister so it rests on top of the rubber gasket with the on/off switch and FULL indicator above the canister vacuum port.

IMPORTANT! Be sure each clamp end is aligned over a clamp landing on the motor housing as shown in figure 4.

6. Secure the motor housing in place by locking down the clamps.
7. Align the raised boss on the large hose end with the gap at the top of the canister vacuum port. Push the hose end inward and rotate clockwise to lock in place. See figure 5.

8. Insert the metal intake nozzle into the other end of the hose. Turning the nozzle clockwise while pushing it into the hose end will help to securely seat the metal nozzle.

ACCESSORY STORAGE

1. Slide the narrow end of an extension tube into the Floor/Carpet Brush. Now slide the open extension tube end over one the rings located above casters to store as shown in Figure 7.
2. Slide the other accessories over the remaining rings for storage.
3. If storage space permits or in between usage, you can leave the hose attached to vacuum port and slide the metal nozzle over a ring for convenience.



FIG 2



FIG 3



FIG 4



FIG 5



FIG 6



FIG 7

OPERATION

Although the Ash Vacuum has special features for vacuuming warm & cool ashes from fireplaces, stoves, and BBQ's, it may also be used for dry vacuuming as a shop/garage vacuum, a household vacuum, or as a blower. In the Operation section are special instructions for various ash vacuum uses.

⚠ WARNING: Be sure to read, understand and apply all safety instructions and warnings. Safety is a combination of common sense, staying alert, and knowing how your Ash Vacuum works.

⚠ WARNING: To reduce the risk of fire or explosion, do not operate this vacuum in areas with flammable gases, vapors or explosive dust in the air. Flammable gases or vapors include but not limited to: lighter fluid, solvent type cleaners, oil-base paints, gasoline, alcohol or aerosol sprays. Explosive dusts include but are not limited to: coal, magnesium, aluminum, grain or gunpowder. Do not vacuum explosive dust, flammable or combustible liquids or hot ashes. To reduce the risk of health hazards from vapors or dusts, do not vacuum toxic materials.

ON/OFF SWITCH

After plugging the power cord into an outlet, the unit is turned on by pushing the switch from position "O" to position "I". The symbols used on the toggle switch are international "On & Off" symbols. "O" is the symbol for "OFF" and "I" is the symbol for "ON".

O = OFF I = ON

NOTE: Static shocks are common in dry areas or when the relative humidity of the air is low. Vacuuming fine debris with your Ash Vacuum can cause static charge on the hose or on the vacuum. The best remedy to reduce the frequency of static shocks in your home when using this vacuum is to add moisture to the air with a humidifier.

ASH VACUUM USE

1. Before connecting the power cord to power source, check that the vacuum is properly assembled with the metal nozzle installed.

CAUTION: NEVER use the ash vacuum without the metal nozzle in place.

2. Ensure the On/Off switch is in the "O" (OFF) position.
3. Place the Ash Vacuum near the fireplace or stove you are cleaning and make sure the ash inside is cool.
4. Insert the power cord plug into an outlet near your work area and push the switch to the "I" (ON) position.
5. Using the metal nozzle only, begin vacuuming the ash.
6. As you vacuum, constantly check the nozzle, hose, canister, filter and motor for excessive temperatures. If you notice an increase in temperature, turn off the vacuum immediately. Unplug the vacuum and remove the vacuumed material from the canister and filter bag. Allow the vacuum and the material to be vacuum to cool before continuing to vacuum.

IMPORTANT! The FULL indicator area will gradually become RED as the canister fills with ash. Check it regularly to see if the vacuum canister is full.

7. Continue to run the vacuum for about 30 seconds after cleaning is complete to be sure any material remaining in the hose is safely deposited into the canister. Move the vacuum switch to the OFF position, then unplug from the outlet.

- Allow the vacuum to cool, then remove ash from the canister and clean the filter as explained in the manual's "MAINTENANCE" instructions before storing the vacuum.

Usage Hints

- Do not shove or bury the nozzle in the ash; doing so will cause nozzle & hose to more easily clog with debris.
- Rest the nozzle tip on the firebrick at roughly a 45° angle to minimize larger pieces from clogging the nozzle & hose.
- Move the nozzle on the firebrick in a circular or back & forth motion. This will help scrap off ash stuck to the firebrick and allow ash to be removed quickly through the nozzle & hose without clogging.
- Move larger chunks of debris to the side to break apart between the metal nozzle and firebrick as necessary.

DRY SHOP VACUUM USE

CAUTION: Empty all ash from the canister and clean ash from filter before using to vacuum up other types of material. Not doing so could increase the risk of fire by depositing combustible material into the canister.

- Before connecting the power cord to power source, check that the canister & filter have been cleaned of ash and the vacuum is properly assembled with the metal nozzle in place.
- Ensure the On/Off switch is in the "O" (OFF) position.
- Insert the power cord plug into an outlet near the area to be vacuumed, then push the switch to the "I" (ON) position.
- Occasionally check the FULL indicator during use.
- Run the vacuum for about 30 seconds after cleaning is complete to be sure any material remaining in the hose is safely deposited into the canister. Move the vacuum switch to the OFF position, then unplug from the outlet.
- Clean the canister and filter as explained in the manual's "MAINTENANCE" instructions before storing the vacuum.

BLOWER USE

⚠ WARNING:

- Always wear safety eye wear complying with ANSI Z87.1 (or in Canada, CSA Z94.3) before using as a blower.
- To reduce the risk of injury to bystanders, keep them clear of blowing debris.
- Wear a dust mask if blowing creates dust that might be inhaled.
- To reduce the risks of hearing damage wear hearing protectors when using the vacuum/blower for extended hours or when using in a noisy area.

- Before connecting the power cord to power source, check that the canister & filter have been cleaned of ash and the vacuum is properly assembled.
- Ensure the On/Off switch is in the "O" (OFF) position.
- Locate the exhaust port. Install the large hose end and rotate clockwise to lock in place. Figure 6

NOTE: When using Ash Vacuum as a blower, the hose can be used with or without the metal nozzle or extension tube(s) installed

- Insert the power cord plug into an outlet near the area to be vacuumed, then push the switch to the "I" (ON) position.

FLOOR/CARPET TOOL USE

The Floor Carpet Tool can only be used when attached to an extension tube. With vacuum set up for dry vacuuming

1. Connect the extension tubes to one another; then, attach the floor/carpet tool to the narrow extension tube end.
2. Slide the wide end of the extension tube into the hose.
3. Located on the left side of the floor/carpet tool is the brush position lever. Figure 7
 - Push down the lever's front edge to retract the brush for vacuuming floors.
 - Push down the lever's back edge to lower the brush for vacuuming carpets.

CREVICE TOOL

Use the Crevice Tool to vacuum material from narrow areas more effectively than the nozzle alone. The narrow tip of the crevice tool also increases suction, which aids in vacuuming material in deeper cracks & tight areas.

- Attach the crevice tool the narrow end of an extension tube to access hard to reach areas.
- Rotate the tools tip as the arrow indicates to position the brush end for use.

MAINTENANCE

⚠ WARNING: Always disconnect the plug from the power outlet before performing all maintenance procedures and when removing the motor housing.

IMPORTANT! All cleaning and maintenance procedures should not be done indoors in or near living areas.

CLEANING THE CANISTER AND FILTER

1. Unplug the vacuum from the power outlet.
2. Remove the hose from the vacuum port by rotating the hose coupling counter-clockwise.
3. Unclamp the motor housing and remove it from top of the canister.

Filter Cleaning

1. To minimize airborne dust, tap the inside of the filter bag with your fingertips to knock collected dust into the canister.
2. Remove the filter bag from the canister and remove remaining dust by tapping the filter's interior or lightly brushing off the outside of the bag.
3. **NOTE:** If necessary, the filter may be hand washed with cool water & mild detergent, then gently hand wring to remove excess water and set aside to air dry. Be sure the filter is dry before use.
DO NOT machine wash/dry the filter!
4. **NOTE:** Do not use compressed air to clean the filter.

Canister Cleaning

1. Dump the cold ash from the canister into an appropriate disposable container such as a plastic or paper trash bag.
2. To remove ash clinging to the canister interior, light wipe off the dust with paper towels or cloth rag. If necessary, a slightly moist towel or rag may be used to wipe off the canister interior & exterior.
3. Do not wash the canister with water, cleaning agent, or other liquid.

Inspect the filter for tears or holes; if any are found, replace the filter before reassembly of the Ash Vacuum.

IMPORTANT! Do not use the vacuum with a damaged filter or without a properly installed filter; doing so will result in dust blowing out the vents & exhaust port.

Following canister & filter cleaning, and then filter inspection and filter replacement, if necessary, reassemble the Ash Vacuum before storage.

TROUBLESHOOTING

⚠ WARNING: Always disconnect the plug from the power outlet before trouble shooting.

SYMPTON	POSSIBLE CAUSES	REMEDY
Vacuum does not operate	No power to motor	<ul style="list-style-type: none"> - Plug into power outlet - Check power supply for blown breakers/fuses – replace if needed. - Call customer service help line.
Dust escaping	1. Filter not installed	1. Install the filter
	2. Holes or torn filter	2. Replace the filter
	3. Filter gasket not laying flush on canister top edge	3. Check and reinstall the filter.
	4. Motor housing not seated or secured	4. Reinstall motor housing. Or, lock down both clamps.
Metal nozzle, hose or canister become HOT	Ash is too warm or hot	Allow ash to cool before vacuuming *
Reduced or no suction	1. Clogged nozzle, hose or vacuum port	1. Check for blockage & remove
	2. Canister full	2. Empty canister
	3. Filter clogged with fine dust	3. Clean filter or replace with a new filter.
Nozzle clogs easily	Vacuuming too much ash at once	Red & use manual's "Usage Hint" section.

*Do not wear gloves to vacuum ash that is warmer than normal or hot.

ACCESSORIES

Only use original or manufacturer approved accessories and spare parts.

NOTE: PowerSmith™ Ash Vacuum can only use PowerSmith™ specially designed Ash Vacuum Filter PAAC301.

TWO-YEAR LIMITED WARRANTY

This product is warranted free from defects in material and workmanship for 2 (Two) years after date of purchase. This limited warranty does not cover normal wear and tear or damage from neglect or accident. The original purchaser is covered by this warranty and it is not transferable. Prior to returning your tool to store location of purchase, please call Toll-Free Help Line for possible solutions.

ACCESSORIES INCLUDED IN THIS KIT ARE NOT COVERED BY THE 2 YEAR WARRANTY.

TOLL-FREE HELP LINE

For questions about this or any other PowerSmith™ product,

Please call Toll-Free: **888-552-8665.**
Or visit our website: **www.richpowerinc.com**

©Richpower Industries, Inc. All Rights reserved

Richpower Industries, Inc.
736 Hampton Road
Williamston, SC 29697

Printed in China, on recycled paper



PAVC101

ASPIRATEUR DE CENDRES

Manuel d'utilisation



LIGNE D'ASSISTANCE
SANS FRAIS: **888-552-8665**

⚠ AVERTISSEMENT : Pour réduire le risque de blessure, l'utilisateur doit lire et doit comprendre ce manuel de l'opérateur avant de fonctionner cet outil.

CONSERVER CE MANUEL POUR FUTURE RÉFÉRENCE



INSTRUCTIONS DE SÉCURITÉ IMPORTANTES

LISEZ ET ASSIMILEZ TOUS LES AVERTISSEMENTS, MISES EN GARDE ET INSTRUCTIONS D'UTILISATION avant de vous servir de cet équipement. Sinon vous risquez commotion électrique, début d'incendie et/ou blessures.

CONSERVEZ CES INSTRUCTIONS



ATTENTION:

- **Ne pas aspirer les cendres chaudes, le charbon,** les braises brûlantes ou autres objets chauds tels que des cigarettes.
- **N'aspirer que de matières froides, n'excédant pas 60 °C (140° F);** sinon, il y aurait risque de feu.
- **Vider toutes les cendres du bac et nettoyer les cendres du filtre** avant d'utiliser l'aspirateur pour d'autres types de matières.
- **NE JAMAIS aspirer des liquides avec ce produit.** Utiliser cette machine pour aspirer des matières sèches seulement
- **Pour réduire le risque de dommages auditifs,** porter des protections auditives lorsque l'appareil est utilisé pendant de longues périodes ou dans des zones de travail bruyantes.



AVERTISSEMENT:

POUR RÉDUIRE LE RISQUE D'INCENDIE, DE DÉCHARGE ÉLECTRIQUE OU DE BLESSURE PERSONNELLE.

- **Tenir les enfants loin de cet aspirateur.** Ne pas les laisser utiliser l'aspirateur comme un jouet.
- **Ne jamais laisser cet aspirateur fonctionner sans surveillance.**
- **Garder les cheveux, les vêtements amples et toutes les parties du corps éloignés** des ouvertures et des pièces en mouvement.
- **Toujours porter des lunettes de sécurité** conformément à la norme ANSI Z87.1 (ou au Canada CSAZ94.3) pour faire fonctionner l'aspirateur. Des corps étrangers pourraient être soufflés dans vos yeux et causer des blessures oculaires.
- **Ne pas utiliser dans des environnements humides ou exposés à la pluie.** Ranger l'unité à l'intérieur ou dans un autre endroit au sec.
- **Ne pas toucher ou manipuler la prise, le cordon ou l'aspirateur avec des mains mouillées.**
- **Ne pas aspirer de liquide inflammable,** gaz, vapeurs toxiques ou explosives émises par de l'essence ou d'autres carburants, de diluant pour peinture, de peinture à base d'eau, de liquides pour briquet, de l'hydrogène, des gaz naturels, etc., ou des poussières explosives telles que les poussières de charbon, de magnésium, de grains ou de la poudre noire, et ne pas utiliser l'aspirateur près de telles matières. Les étincelles des brosses du moteur à décharge électrique, à l'intérieur du moteur, pourraient enflammer les vapeurs ou les poussières.
- **Ne pas aspirer de matières toxiques, cancérigènes, combustibles ou autres matières dangereuses** (p. ex., de l'amiante, de l'arsenic, du baryum, du plomb, des pesticides, des insecticides,) ou autres matières dangereuses pour la santé.
- **Ne pas aspirer quoi que ce soit qui est en train de brûler ou de fumer,** p. ex., des braises, cigarettes, allumettes, pastilles, etc.

- **Ne pas maltraiter le cordon.** Ne jamais utiliser le cordon pour transporter ou tirer l'aspirateur, s'en servir de poignée ou le tirer pour débrancher l'appareil d'une prise d'alimentation. Pour le débrancher l'aspirateur, tirer sur la prise, pas sur le cordon.
- **Garder le cordon éloigné de surfaces chauffées,** d'huile et de bords pointus. Ne pas fermer les portes sur le cordon ni le tirer autour de coins ayant des angles aigus.
- **Les cordons peuvent faire trébucher.** Ne pas laisser le cordon traîner sur le plancher. Ramasser le cordon après avoir terminé le travail de nettoyage.
- **Ne pas laisser l'aspirateur branché lorsqu'il est laissé sans surveillance ou n'est pas utilisé.** Le débrancher de la source d'alimentation lorsqu'il n'est pas utilisé et avant d'en faire l'entretien.
- **Ne pas passer sur le cordon avec un véhicule ou autre.**
- **Ne pas utiliser l'aspirateur si le cordon,** la prise ou d'autres parties sont endommagés ou si l'aspirateur ne fonctionne pas comme il le devrait, est tombé, a été endommagé, a été laissé à l'extérieur ou est tombé dans l'eau. L'envoyer à un centre de service.
- **Ne pas utiliser l'aspirateur à cendres si le filtre est déchiré,** ou n'a pas été installé
- **Arrêter la machine avant de la débrancher.**
- **Débrancher le produit de la source d'alimentation** avant de changer ou de nettoyer le filtre pour réduire le risque de blessure due à un démarrage accidentel.
- **Ne pas mettre, laisser tomber ou insérer d'objet dans les ouvertures de ventilation.** Ne pas faire fonctionner l'aspirateur si les ouvertures d'aération sont bloquées. Elles doivent être exemptes de poussière, de peluches, de cheveux ou de toute autre chose pouvant réduire la circulation d'air.
- **Ne pas ranger l'aspirateur immédiatement après avoir enlevé des cendres,** ou l'avoir utilisé dans un autre but, dans un endroit confiné ou clos. Laisser le moteur refroidir et enlever les cendres du bac avant de le ranger.
- **Lorsqu'utilisé comme souffleuse**
 - Diriger la décharge d'air seulement sur la zone de travail.
 - Garder les enfants éloignés.
 - Ne pas diriger l'air vers les passants.
 - Ne pas utiliser la souffleuse pour tout autre travail que de souffler la poussière et les débris.
 - Ne pas utiliser la souffleuse comme pulvérisateur.
 - Porter des lunettes de sécurité.
 - Pour les opérations poussiéreuses, porter un masque à poussière



AVERTISSEMENT DE RISQUE D'INCENDIE

- **L'aspirateur à cendres est conçu pour aspirer des cendres froides ou tièdes seulement.** L'utiliser comme aspirateur d'atelier ou pour un usage ménager général pourrait accroître le risque d'incendie en déposant des matières combustibles dans le bac avant d'aspirer des cendres.
- **Faire attention en aspirant des matières qui semblent avoir refroidi, mais pourraient continuer à être chaudes à l'intérieur.** La circulation d'air créée pendant l'aspiration pourrait enflammer à nouveau les cendres. Vérifier constamment si l'embout suceur, le tuyau, le bac, le filtre et le moteur ne chauffent pas trop pendant l'aspiration. En cas d'accroissement de la température, arrêter immédiatement l'aspirateur. Débrancher l'aspirateur et retirer les matières aspirées du bac et du sac-filtre. Laisser l'aspirateur et les matières à aspirer refroidir avant de continuer l'aspiration.

CORDONS RALLONGES

Les outils à double isolation peuvent utiliser des cordons rallonge indifféremment à deux ou trois conducteurs. Plus augmente la distance depuis la prise d'alimentation, plus le calibre de la rallonge devra être important. L'utilisation de cordons rallonges avec des fils mal calibrés peut provoquer une importante chute de tension d'entrée, d'où une perte de puissance et de possibles dommages pour l'outil. Reportez-vous au tableau pour déterminer la taille minimum requise pour les fils.


Conseils d'utilisation de cordons rallonges

- Si vous utilisez un cordon rallonge à l'extérieur, assurez-vous qu'il est marqué du suffixe « W-A » (W seulement au Canada), qui indique qu'il convient bien à une utilisation à l'extérieur.
- Assurez-vous que votre cordon rallonge est correctement câblé et en bonne condition électrique. Remplacez toujours un cordon rallonge endommagé ou faites-le réparer par une personne qualifiée avant de l'utiliser.
- Protégez vos cordons rallonges des angles et objets tranchants, de la chaleur excessive, et des zones humides ou mouillées.

Calibre de fil minimum recommandé pour cordons de rallonge (en 120 Volts)

Ampérage nominal (à pleine charge)	Longueur du cordon de rallonge					
	7.6 m 25 Feet	15.2 m 50 Feet	22.9 m 75 Feet	30.5 m 100 Feet	45.7 m 150 Feet	61.0 m 200 Feet
0-2.0	18	18	18	18	16	16
2.1-3.4	18	18	18	16	14	14
3.5-5.0	18	18	16	14	12	12
5.1-7.0	18	16	14	12	12	10
7.1-12.0	18	14	12	10	8	8
12.1-16.0	14	12	10	10	8	6
16.1-20.0	12	10	8	8	6	6

MODE D'EMPLOI D'UN ASPIRATEUR À DOUBLE ISOLATION

AVERTISSEMENT: Dans un aspirateur à double isolation, il y a deux systèmes d'isolation plutôt qu'une mise à la terre. Aucun moyen de mise à la terre n'est fourni sur un appareil à double isolation, et il ne faut pas en ajouter un. Pour réparer un aspirateur à double isolation, il faut exercer un soin extrême et bien connaître le système, ce que seuls des réparateurs qualifiés peuvent faire. Les pièces de rechange d'un aspirateur à double isolation doivent être les mêmes que celles qu'elles remplacent. Les mots « DOUBLE INSULATED » (DOUBLE ISOLATION) et le symbole (un carré à l'intérieur d'un carré)  peuvent également être marqués sur l'appareil à double isolation.

FICHE POLARISÉE

Les produits à double isolation sont équipés d'une fiche polarisée (une lame est plus large que l'autre). Cette fiche ne se branchera que d'une seule façon dans une prise polarisée. Si la fiche n'entre pas complètement dans la prise, la brancher en sens inverse. Si elle n'entre toujours pas, contacter un électricien qualifié pour installer une prise polarisée. Ne pas changer la fiche. La double isolation élimine la nécessité d'un cordon à trois fils avec mise à la terre et un système d'alimentation avec mise à la terre.

CONSERVEZ CES INSTRUCTIONS

SPÉCIFICATIONS

Modèle n° :-----PVC101
 Tension nominale :-----120 V c.a., 60 Hz
 Puissance d'entrée nominale :-----10 ampères
 Capacité du réservoir de cendres :-----15 litres
 Power cord Length :-----6 Foot
 Niveau sonore :-----79 dB
 Poids net :-----4 kg

VOTRE ASPIRATEUR DE CENDRES

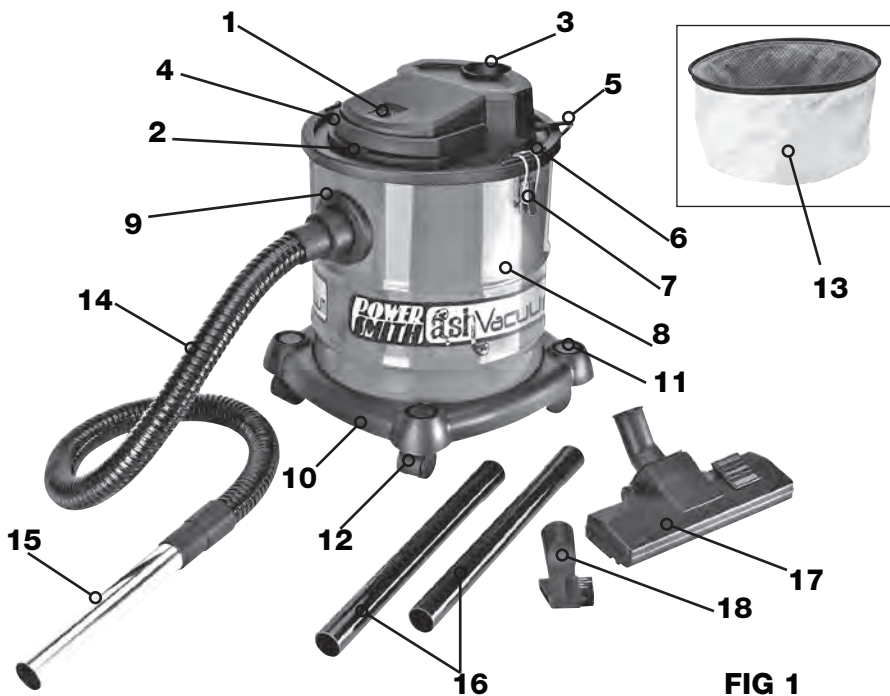


FIG 1

- | | |
|---------------------------------------|--------------------------------------|
| 1. Commutateur marche/arrêt | 10. Base |
| 2. Indicateur PLEIN | 11. Anneau de stockage |
| 3. L'orifice d'échappement | 12. Roulettes |
| 4. Poignée de transport | 13. Filtre |
| 5. Cordon d'alimentation | 14. Tuyau |
| 6. Support à fermer | 15. Embout métallique |
| 7. Fermer | 16. Tubes de rallonge |
| 8. Bac de cendres | 17. Pièce jointe pour plancher/tapis |
| 9. L'ouverture du bac de l'aspirateur | 18. Suceur plat |

OUVERTURE DE L'EMBALLAGE ET CONTENU

IMPORTANT! Grâce à des techniques modernes de production de masse, il est peu probable que l'outil est défectueux ou qu'une pièce est manquante. Si vous trouvez quelque chose de mal, ne pas faire fonctionner l'outil jusqu'à ce que les parties ont été remplacés ou la faute a été corrigée. Le fait de ne pas le faire pourrait entraîner des blessures graves.

CONTENU DE CARTON DE PIÈCES EN VRAC

Description	Quan	Description	Quan
Le boîtier du moteur	1	Suceur plat	1
Bac en métal, base attachée	1	Pièce jointe pour plancher/tapis	1
Filtre	1	Tubes de rallonge	2
Tuyau flexible, en métal doublé	1	Roulettes	4
Embout métallique	1	Manuel de l'opérateur	1

INSTRUCTIONS DE MONTAGE

⚠ AVERTISSEMENT: Par mesure de sécurité, ne jamais brancher une fiche à une prise d'alimentation tant que toutes les étapes de l'assemblage ne sont pas terminées et avant d'avoir lu et compris les consignes de sécurité et de fonctionnement. Ne pas faire fonctionner l'aspirateur si des parties sont endommagées ou manquantes.

INSTALLATION DES ROULETTES

1. Le boîtier du moteur étant enlevé et le bac d'aspiration vide, retourner le bac (à l'envers) de façon à ce que la base noire se trouve sur le dessus. S'assurer que le bac ne repose pas sur les fermetures. Voir figure 2.
2. Insérer la tige de la roulette dans l'un des trous de petit diamètre se trouvant dans les coins de la base. En exerçant une pression ferme et constante, appuyer sur la roulette jusqu'à ce qu'elle ne puisse pas aller plus loin. Voir figure 2
3. Répéter l'étape 2, en installant une roulette dans les trois coins restants, sur la base de l'aspirateur.
4. Retourner le bac de façon à ce que le bac et la base reposent sur les quatre roulettes installées. L'unité devrait également reposer sur les quatre roulettes; sinon, c'est qu'une ou plusieurs roulettes ne sont pas correctement insérées.

INSTALLATION DU FILTRE, DU MOTEUR ET DU TUYAU

1. Le sac-filtre de l'aspirateur à cendres utilise une construction spéciale, en deux parties, lui donnant deux surfaces distinctes. La surface extérieure du filtre est lisse et a une apparence argentée, brillante, tandis que la surface intérieure a l'aspect d'un tissu gris.
2. Placer le sac-filtre dans le bac en métal, la surface argentée brillante faisant face à l'extérieur et le joint en caoutchouc se trouvant sur le dessus. Voir figure 3.
3. Enfoncez le filtre jusqu'à ce que le joint en caoutchouc se trouve exactement à la hauteur de la bordure du bac de métal.
4. Au besoin, ajuster le joint de caoutchouc pour qu'il recouvre complètement la bordure du bac, sans laisser de jeu.
5. Insérer le boîtier du moteur dans le bac de façon à ce qu'il repose au-dessus du joint en caoutchouc, le commutateur de marche/arrêt et l'indicateur FULL (PLEIN) étant au-dessus de l'ouverture du bac de l'aspirateur.

IMPORTANT! S'assurer que l'extrémité de chaque fermoir est alignée avec un support à fermoir sur le boîtier du moteur, comme illustré à la figure 4.

6. Fixer le boîtier du moteur en place en accrochant et abaissant les fermoirs.
7. Aligner la bosse de l'extrémité du gros tuyau avec l'encoche en haut de l'ouverture du bac de l'aspirateur. Pousser l'extrémité du tuyau vers l'intérieur et le tourner dans le sens des aiguilles d'une montre pour le verrouiller en place. Voir figure 5.
8. Insérer l'embout suceur de métal de l'admission à l'autre extrémité du tuyau. Tourner l'embout dans le sens des aiguilles d'une montre tout en le poussant dans l'extrémité du tuyau pour aider à ce qu'il soit bien en place.



FIG 2



FIG 3



FIG 4



FIG 5



FIG 6



FIG 7

RANGEMENT DES ACCESSOIRES

1. Glisser l'extrémité étroite d'un tube de rallonge dans la brosse pour plancher/tapis. Glisser ensuite l'extrémité ouverte du tube de rallonge sur l'un des anneaux situés au-dessus des roulettes pour le ranger, comme illustré à la figure 7.
2. Glisser les autres accessoires sur les anneaux restants, pour les ranger.
3. Si l'espace de rangement le permet, ou entre les utilisations, le tuyau peut rester attaché à l'orifice de l'aspirateur et l'embout suceur de métal être inséré sur un anneau.

FONCTIONNEMENT

Bien que l'aspirateur à cendres ait certaines caractéristiques permettant d'aspirer les cendres tièdes et froides des foyers, poêles et barbecues, il peut également être utilisé pour l'aspiration à sec comme aspirateur d'atelier/garage, aspirateur ménager ou comme souffleuse. Des instructions particulières pour les différents usages de l'aspirateur à cendres se trouvent dans la section Opération.

⚠ AVERTISSEMENT: Il est nécessaire de lire, comprendre et appliquer toutes les consignes et tous les avertissements de sécurité. La sécurité est une combinaison de bon sens, de vigilance et de connaissance du fonctionnement de l'aspirateur à cendres.

⚠ AVERTISSEMENT: Pour réduire le risque d'incendie ou d'explosion, ne pas faire fonctionner cet aspirateur dans les endroits où il y a des gaz ou des vapeurs inflammables, ou de la poussière explosive dans l'air. Les gaz ou vapeurs inflammables comprennent notamment : liquide à briquet, nettoyant de type solvant, peintures à base d'huile, essence, alcool ou aérosol. Les poussières explosives comprennent notamment : charbon, magnésium, aluminium, grain ou poudre noire. Ne pas aspirer des poussières explosives, des liquides inflammables non combustibles, ni des cendres chaudes. Pour réduire le risque de danger pour la santé provenant des vapeurs ou poussières, ne pas aspirer des matières toxiques.

COMMUTATEUR MARCHE/ARRÊT

Après avoir branché le cordon électrique dans une prise, il faut pousser le commutateur de la position « 0 » à la position « I ». Les symboles utilisés sur le commutateur basculant sont les symboles internationaux « Marche et Arrêt ». « 0 » est le symbole pour « ARRÊT » et « I » et le symbole pour « MARCHÉ ».

O = ARRÊT I = MARCHÉ

REMARQUE: Il est fréquent d'avoir des décharges statiques dans les endroits secs ou lorsque l'humidité relative de l'air est faible. Le fait d'aspirer des débris fins avec votre aspirateur à cendres peut causer des décharges électriques sur le tuyau ou l'aspirateur. Le meilleur moyen de réduire la fréquence des décharges statiques dans votre maison, lorsque vous utilisez cet aspirateur, est d'augmenter l'humidité dans l'air à l'aide d'un humidificateur.

UTILISATION DE L'ASPIRATEUR À CENDRES

1. Avant de brancher le cordon électrique à une source d'alimentation, vérifier que l'aspirateur est bien assemblé et que l'embout de métal est installé.

ATTENTION: NE JAMAIS utiliser l'aspirateur à cendres sans l'embout de métal.

2. S'assurer que le commutateur MARCHÉ/ARRÊT est en position « 0 » (ARRÊT).
3. Placer l'aspirateur à cendres près du foyer ou du poêle à nettoyer et s'assurer que les cendres à l'intérieur sont froides.
4. Insérer la fiche du cordon d'alimentation dans une prise près de la zone de travail et pousser le commutateur en position « I » (MARCHÉ).

5. N'utiliser que l'embout suceur de métal et commencer à aspirer les cendres..
6. Vérifier constamment l'embout suceur, le tuyau, le bac, le filtre et le moteur pendant l'aspiration pour s'assurer qu'ils ne chauffent pas trop. En cas d'accroissement de la température, arrêter immédiatement l'aspirateur. Débrancher l'aspirateur et retirer les matières aspirées du bac et du sac-filtre. Laisser refroidir l'aspirateur et les matières à aspirer avant de continuer.

IMPORTANT! L'indicateur PLEIN (FULL) deviendra graduellement rouge au fur et à mesure que le bac se remplira de cendres. Le vérifier régulièrement pour voir si le bac d'aspiration est plein.

7. Continuer à faire fonctionner l'aspirateur environ 30 secondes après la fin du nettoyage pour que toutes les matières restantes dans le tuyau soient bien déposées dans le bac. Mettre le commutateur en position d'ARRÊT, puis débrancher le cordon de la prise.
8. Laisser refroidir l'aspirateur, puis enlever les cendres du bac et nettoyer le filtre comme expliqué dans les instructions d'« ENTRETIEN » du manuel avant de ranger l'aspirateur.

Conseils d'utilisation

- Ne pas pousser ou enterrer l'embout suceur dans les cendres, l'embout et le tuyau risquant d'être plus facilement bouchés par les débris.
- Poser la pointe de l'embout suceur sur la brique réfractaire à un angle d'environ 45° pour éviter que les plus gros morceaux bouchent l'embout et le tuyau.
- Déplacer l'embout suceur sur la brique réfractaire en un mouvement circulaire ou de va-et-vient. Ceci aidera à déloger les cendres accrochées à la brique et permettra aux cendres de passer rapidement à travers l'embout suceur et le tuyau, sans les boucher.
- Pousser les plus gros débris sur le côté pour les casser en plus petits morceaux entre l'embout suceur de métal et la pierre réfractaire, au besoin.

UTILISATION DE L'ASPIRATEUR POUR DÉBRIS SECS, POUR L'ATELIER

ATTENTION: Vider toutes les cendres du bac et nettoyer les cendres du filtre avant d'utiliser l'appareil pour aspirer d'autres types de matières. Sinon, si des matières combustibles étaient déposées dans le bac le risque de feu serait accru.

1. Avant de brancher le cordon à la source d'alimentation, vérifier que le bac et le filtre ont bien été nettoyés, qu'il ne reste pas de cendres et que l'aspirateur est bien assemblé, avec l'embout en métal en place.
2. S'assurer que le commutateur MARCHE/ARRÊT est en position « 0 » (ARRÊT).
3. Insérer la fiche du cordon d'alimentation dans une prise près de la zone de travail et pousser le commutateur en position « I » (MARCHE).
4. Vérifier de temps en temps l'indicateur FULL (PLEIN) pendant l'utilisation.
5. Continuer à faire fonctionner l'aspirateur environ 30 secondes après la fin du nettoyage pour que toutes les matières restantes dans le tuyau soient bien déposées dans le bac. Mettre le commutateur en position d'ARRÊT, puis débrancher le cordon de la prise.
6. Nettoyer le bac et le filtre comme expliqué dans les instructions d'« ENTRETIEN » du manuel avant de ranger l'aspirateur.

UTILISATION COMME SOUFFLEUSE

⚠ AVERTISSEMENT:

- Porter toujours des lunettes de sécurité conformes à la norme ANSI Z87.1 (ou au Canada CSAZ94.3) pour utiliser l'aspirateur comme souffleuse. Pour éviter de blesser les passants, les éloigner des débris soufflés.
- Porter un masque à poussière si de la poussière est créée et qu'elle pourrait être inhalée.
- Pour réduire le risque de dommages auditifs, porter des protections auditives lorsque l'appareil est utilisé pendant de longues périodes ou dans des zones de travail bruyantes.

1. Avant de brancher le cordon à la source d'alimentation, vérifier que le bac et le filtre ont bien été nettoyés, qu'il ne reste pas de cendres et que l'aspirateur est bien assemblé, avec l'embout en métal en place.
2. S'assurer que le commutateur MARCHE/ARRÊT est en position « 0 » (ARRÊT).
3. Regarder où se trouve l'orifice de sortie. Installer l'extrémité du gros tuyau et la faire tourner dans le sens des aiguilles d'une montre pour la verrouiller en place. Figure 6.

REMARQUE: Lorsque l'aspirateur à cendres est utilisé comme souffleuse, le tuyau peut être utilisé avec ou sans l'embout de métal ou les tubes d'extension.

4. Insérer la fiche du cordon d'alimentation dans une prise près de la zone à nettoyer, puis pousser le commutateur en position « I » (MARCHE).

UTILISATION DE L'EMBOUIT POUR PLANCHER/TAPIS

L'embout pour plancher et tapis ne peut être utilisé qu'avec un tube de rallonge. L'aspirateur étant réglé pour une aspiration à sec,

1. Connecter les tubes de rallonge l'un à l'autre, puis fixer l'embout pour plancher/tapis à l'extrémité du tube de rallonge étroit.
2. Faire glisser l'extrémité large du tube de rallonge dans le tuyau.
3. Regarder sur la gauche de l'embout pour plancher/tapis où se trouve le levier pour la position brosse. Figure 7.
 - Pousser vers le bas le bord avant du levier pour escamoter la brosse et aspirer les planchers.
 - Pousser vers le bas le bord arrière du levier pour abaisser la brosse et aspirer les tapis.

SUCEUR PLAT

Utiliser le suceur plat pour aspirer des matières dans des zones étroites plus efficacement qu'avec le seul embout suceur. Le bout étroit du suceur plat augmente également la succion, ce qui aide à aspirer dans les craquelures profondes et des endroits étroits.

- Attacher le suceur plat à l'extrémité étroite d'un tube de rallonge pour accéder à des endroits difficiles à atteindre.
- Faire tourner l'extrémité du suceur plat comme indiqué par la flèche pour positionner la brosse à utiliser.

ENTRETIEN

⚠ AVERTISSEMENT: AToujours débrancher la fiche de la prise de courant avant d'effectuer une procédure d'entretien de l'appareil et avant d'enlever le boîtier du moteur.

IMPORTANT! Les procédures de nettoyage et de maintenance ne doivent pas être effectuées à l'intérieur ni près des endroits de séjour.

NETTOYAGE DU BAC ET DU FILTRE

1. Débrancher l'aspirateur de la prise d'alimentation électrique.
2. Retirer le tuyau de l'orifice d'aspiration en le faisant tourner en sens inverse des aiguilles d'une montre.
3. Ouvrir les fermoirs du boîtier du moteur et enlever le boîtier du dessus du bac.

Nettoyage du filtre

1. Pour minimiser la poussière en suspension dans l'air, tapoter l'intérieur du sac-filtre du bout des doigts pour faire tomber la poussière dans le bac.
2. Retirer le sac-filtre du bac et enlever la poussière restante en tapotant l'intérieur du filtre ou en brossant légèrement l'extérieur du sac.
3. **REMARQUE:** Au besoin, le filtre peut être lavé à la main avec de l'eau froide et un détergent doux, puis essoré légèrement à la main pour enlever l'excès d'eau et laisser sécher à l'air. S'assurer que le filtre est bien sec avant de l'utiliser.

NE PAS laver/sécher le filtre à la machine!

4. **REMARQUE:** Ne pas utiliser de l'air comprimé pour nettoyer le filtre.

Nettoyage du bac

1. Vider les cendres froides du bac dans un contenant jetable approprié, comme un sac à poubelle en plastique ou en papier.
2. Pour déloger les cendres accrochées à l'intérieur du bac, essuyer la poussière avec des essuie-tout ou un chiffon. Au besoin, il est possible d'utiliser une serviette ou un chiffon légèrement humectés pour essuyer l'intérieur et l'extérieur du bac.
3. Ne pas laver le bac avec de l'eau, un agent de nettoyage ou un autre liquide.

Vérifier si le filtre est déchiré ou troué; si c'est le cas, remplacer le filtre avant de réassembler l'aspirateur à cendres.

IMPORTANT! Ne pas utiliser l'aspirateur si le filtre est endommagé, ou s'il n'y a pas de filtre correctement installé; sinon, la poussière pourrait être soufflée à travers les orifices de ventilation et de sortie.

Après avoir nettoyé le bac et le filtre, puis inspecté le filtre et l'avoir remplacé, au besoin, réassembler l'aspirateur à cendres avant de le ranger.

DÉPANNAGE

⚠ AVERTISSEMENT: Toujours débrancher la fiche de la prise d'alimentation avant de dépannage.

SYMPTÔME	CAUSES POSSIBLES	REMEDE
L'aspirateur ne fonctionne pas	Le moteur n'est pas alimenté	- Brancher l'aspirateur dans une prise de courant - Vérifier, à l'alimentation, si les disjoncteurs/fusibles ne sont pas grillés – les remplacer au besoin - Appeler le service à la clientèle
De la poussière s'échappe	1. Le filtre n'est pas installé	1. Installer un filtre
	2. Le filtre est troué ou déchiré	2. Remplacer le filtre
	3. Le joint du filtre n'est pas posé bien droit sur le bord du bac	3. Vérifier et réinstaller le filtre, au besoin.
	4. Le boîtier du moteur n'est pas bien en place ou bien accroché	4.- Réinstaller le boîtier du moteur - Fermer les deux fermoirs
L'embout suceur de métal, le tuyau ou le bac deviennent chauds	Les cendres sont trop chaudes	Laisser refroidir les cendres avant d'aspirer *.
Succion réduite ou pas de succion	1. L'embout suceur, le tuyau ou l'orifice d'aspiration sont bouchés	1. Vérifier les blocages et les enlever
	2. Le bas est plein	2. Vider le bac
	3. Le filtre est bouché par de la poussière fine	3. Nettoyer le filtre ou installer un nouveau filtre
L'embout suceur se bouche facilement	Trop de cendres ont été aspirées à la fois	Lire et utiliser la section « Conseils d'utilisation » du manuel

* Ne pas porter de gants pour aspirer des cendres qui sont plus chaudes que la normale, ou très chaudes.

ACCESSOIRES

N'utiliser que les accessoires et pièces de rechange originales ou approuvées par le fabricant.

REMARQUE: L'aspirateur à cendres PowerSmith™ ne peut utiliser que le filtre pour aspirateur à cendres PAAC301 spécialement conçu par PowerSmith™.

GARANTIE DE DEUX ANS

Ce produit est garanti exempt de défauts dus au matériaux et à la main d'œuvre pendant 2 ans à compter de sa date d'achat. Cette garantie limitée ne couvre pas l'usure normale ni les détériorations ou dommages dus à négligence, utilisation anormale ou accident. L'acheteur d'origine est couvert par cette garantie mais elle n'est pas transférable. Avant de renvoyer votre l'outil au magasin d'achat, s'il vous plaît appelez sans frais la ligne d'aide pour les solutions possibles.

LES ACCESSOIRES COMPRIS DANS CE KIT NE SONT PAS COUVERTS PAR LA GARANTIE DE 2 ANS.

LIGNE D'ASSISTANCE SANS FRAIS

Pour vos questions sur ce produit ou un autre de **PowerSmith™**, veuillez utiliser en Amérique du Nord ce numéro d'appel sans frais: **888-552-8665**.

Ou visitez notre site web: **www.richpowerinc.com**

©Richpower Industries, Inc. All Rights reserved

Richpower Industries, Inc.
736 Hampton Road
Williamston, SC 29697

Printed in China, on recycled paper



ASPIRADORA PARA CENIZAS

PAVC101

Manual del Operario



LÍNEA DE AYUDA
GRATUITA: **888-552-8665**

⚠ ADVERTENCIA: Para reducir el riesgo de la herida, el usuario debe leer y deber comprender el manual de este operario antes de operar este instrumento.

GUARDE ESTE MANUAL PARA FUTURAS CONSULTAS



INSTRUCCIONES IMPORTANTES DE SEGURIDAD

ANTES DE UTILIZAR ESTE EQUIPO, LEA Y ENTIENDA TODAS LAS ADVERTENCIAS, PRECAUCIONES E INSTRUCCIONES DE OPERACIÓN. No seguir todas las instrucciones enumeradas a continuación, podría resultar en una descarga eléctrica, un incendio y/o lesiones personales graves.

GUARDE ESTAS INSTRUCCIONES



PRECAUCIÓN:

- **No aspirar cenizas calientes, carbón, brasas ni otras cosas calientes tal como cigarros.**
- **Para evitar riesgo de incendio, aspirar solamente materiales fríos que no estén a más de 140 °F (60 °C).**
- **Antes de usar la aspiradora con otros materiales, vaciar las cenizas del colector y limpiar el filtro**
- **NO aspirar líquidos con este producto.** Usar esta máquina solamente para aspirar materiales secos.
- **Al usar la máquina por períodos prolongados o en lugares ruidosos, usar protección auditiva para reducir el riesgo de pérdida de la audición.**



ADVERTENCIA: PARA REDUCIR EL RIESGO DE INCENDIO ELECTROCUCIÓN O LESIONES PERSONALES

- **Mantener la aspiradora alejada del alcance de los niños.** No permitir que usen la aspiradora como juguete.
- **No dejar la aspiradora abandonada cuando está en funcionamiento.**
- **Mantener alejado el cabello, ropa suelta y otras partes del cuerpo alejadas de los orificios y partes móviles.**
- **Usar siempre gafas de seguridad** [normalizadas según ANSI Z87.1 (CSAZ94.3 en Canadá) al usar la aspiradora. Al usar la aspiradora pueden salir objetos despedidos que podrían causar lesiones en los ojos.
- **No usar la máquina en lugares mojados ni exponerla a la lluvia.** Guardar la máquina en interiores, en un lugar seco.
- **No tocar el enchufe, el cordón eléctrico ni la aspiradora con las manos mojadas.**
- **No usar la aspiradora cerca de líquidos inflamables, gases, vapores tóxicos o explosivos liberados por combustibles, diluyente de pintura, pinturas al aceite, bencina, hidrógeno, gas natural, etc., ni de polvos explosivos tales como polvo de carbón, polvo de magnesio, polvo de granos cereales y pólvora.** Las chispas en las escobillas del motor podrían encender estos vapores o polvos.
- **No aspirar sustancias tóxicas, cancerígenas, combustibles ni peligrosas** (por ejemplo, asbestos, arsénico, bario, plomo, pesticidas, insecticidas) ni otras sustancias perjudiciales para la salud.

- **No aspirar materiales encendidos ni humeantes**, como por ejemplo, brasas, cigarrillos, cerillos, pellets, etc.
- **No maltratar el cordón eléctrico**. No tirar del cordón para mover la aspiradora ni para desconectarlo del tomacorriente. Para desconectarlo del tomacorriente tirar siempre del enchufe, no del cable.
- **Evitar que el cordón entre en contacto con superficies calientes, aceite y bordes filosos**. No cerrar puertas apretando el cordón ni tirar del mismo en bordes filosos.
- **El cordón eléctrico puede ser un peligro de tropiezo**. No deja el cordón tirado en el piso. Al terminar de trabajar, levante el cordón.
- **No dejar la aspiradora abandonada mientras esté enchufada**. Desenchufar la aspiradora antes de repararla o cuando no está en uso.
- **No pisar el cordón ni pasar por encima de él con un vehículo**.
- **No usar la aspiradora con el cordón, el enchufe u otras partes dañadas**, ni cuando funciona anormalmente, se haya caído, se la haya dejado a la intemperie o se hubiera mojado. En tales casos enviarla a revisar a un centro de servicio.
- **Ni usar la aspiradora de cenizas con el filtro roto** o sin el filtro colocado.
- **Apagar la máquina antes de desenchufarla del tomacorriente**.
- **A fin de reducir el riesgo de lesiones por arranque accidental, desenchufar la máquina** antes de cambiar o limpiar el filtro.
- **No dejar caer objetos ni introducir objetos en las aberturas de ventilación**. No usar la aspiradora con las aberturas de ventilación bloqueadas. Limpiar el polvo, las pelusas, cabellos y cualquier otro residuo que pueda impedir la circulación de aire.
- **No guardar la aspiradora inmediatamente** después de haberla usado para aspirar cenizas u otros objetos. Dejar que el motor se enfríe y retirar las cenizas del colector antes de guardar la máquina.
- **Uso de la máquina como soplador**
 - Dirigir la salida de aire directamente al lugar que se desea soplar.
 - Mantener a los niños alejados al usarla como soplador.
 - No dirigir la salida de aire a otras persona presentes.
 - No usar el soplador para otro fin que no sea soplar suciedad y residuos.
 - No usar el soplador como rociador.
 - Usar gafas de seguridad.
 - Cuando se levanta mucho polvo usar una mascarilla respiratoria.

ADVERTENCIA SOBRE PELIGRO DE INCENDIO

- **Esta aspiradora debe usarse exclusivamente para cenizas frías o tibias**. El uso de esta aspiradora en un taller o residencia puede incrementar el riesgo de incendio ya que se depositan en el colector materiales combustibles que podrían permanecer allí cuando se aspiran cenizas.
- **Tener en cuenta que algunos materiales podrían aparentar estar fríos**, pero todavía están calientes en su interior. El aire aspirado por la máquina podría encender las cenizas calientes. Durante el uso, verificar continuamente la temperatura de la manguera, la boquilla, el colector, el filtro y el motor. Si se notara un incremento de temperatura apagar inmediatamente la aspiradora. Desenchufarla y quitar el material acumulado en el colector y la bolsa del filtro. Antes de continuar, dejar que se enfríe la máquina y el material que será aspirado.

CABLES DE EXTENSIÓN



Las herramientas de aislamiento doble pueden utilizar un cable de extensión de dos o tres alambres. A medida que aumenta la distancia desde el tomacorriente de suministro de energía, usted debe utilizar un cable de extensión de mayor calibre. Utilizar cables de extensión con alambre de dimensiones inadecuadas causa una caída grande del voltaje, lo que resulta en pérdida de energía y posible daño a la herramienta. Consulte la tabla mostrada enseguida para determinar el tamaño de alambre mínimo requerido

Pautas para utilizar cables de extensión

- Si usted está utilizando un cable de extensión en exteriores, verifique que esté marcado con el sufijo "W-A" ("W" en Canadá) que indica que es aceptable para uso en exteriores.
- Verifique que su cable de extensión tiene los alambres apropiados y que está en buenas condiciones eléctricas. Siempre reemplace un cable de extensión dañado o hágalo reparar por una persona calificada antes de utilizarlo.
- Proteja sus cables de extensión contra objetos cortantes, calor excesivo y áreas mojadas o húmedas.

Calibre de alambre mínimo recomendado para cables de extensión (120 Voltios)						
Amperios según la placa de datos (a plena carga)	Longitud del cable de extensión					
	25 pies	50 pies	75 pies	100 pies	150 pies	200 pies
0-2.0	18	18	18	18	16	16
2.1-3.4	18	18	18	16	14	14
3.5-5.0	18	18	16	14	12	12
5.1-7.0	18	16	14	12	12	10
7.1-12.0	18	14	12	10	8	8
12.1-16.0	14	12	10	10	8	6
16.1-20.0	12	10	8	8	6	6

ASPIRADORAS CON DOBLE AISLAMIENTO

 **ADVERTENCIA:** Una aspiradora de doble aislamiento tiene dos capas de aislamiento en lugar de puesta a tierra. Un artefacto de doble aislamiento no tiene puesta a tierra ni debe instalarse en el mismo una puesta a tierra. La reparación de una aspiradora con doble aislamiento exige cuidado y conocimiento del sistema, por ello, debe ser ejecutada únicamente por un técnico profesional. Usar siempre repuestos idénticos a los componentes instalados. La aspiradora con doble aislamiento tiene la inscripción "DOUBLE INSULATED" (DOBLE AISLAMIENTO)  y también podría tener un símbolo (cuadrado dentro de un cuadrado).

ENCHUFE CON PATAS DIFERENCIADAS

Los productos con doble aislamiento están equipados con un enchufe con patas de polaridad diferenciada (una es más ancha que la otra). El enchufe podrá introducirse en un tomacorriente de una sola manera. Si el enchufe no entra bien en el tomacorriente, invertir su posición. Si aún así no entrara correctamente, llamar a un electricista para que instale un tomacorriente con polos diferenciados. No cambiar el enchufe de la máquina. El doble aislamiento elimina la necesidad de un cordón con cable de tierra y de una instalación eléctrica con puesta a tierra.

GUARDE ESTAS INSTRUCCIONES

ESPECIFICACIONES

Modelo:-----PAVC101
 Voltaje nominal:-----120 VCA, 60 HZ
 Consumo nominal:-----10 Amp
 Capacidad del colector de ceniza:-----3 Galones
 Longitud del cable:-----6 Pies
 Nivel de ruido:-----79 dB
 Peso neto:-----9 libras

SU ASPIRADORA PARA CENIZAS

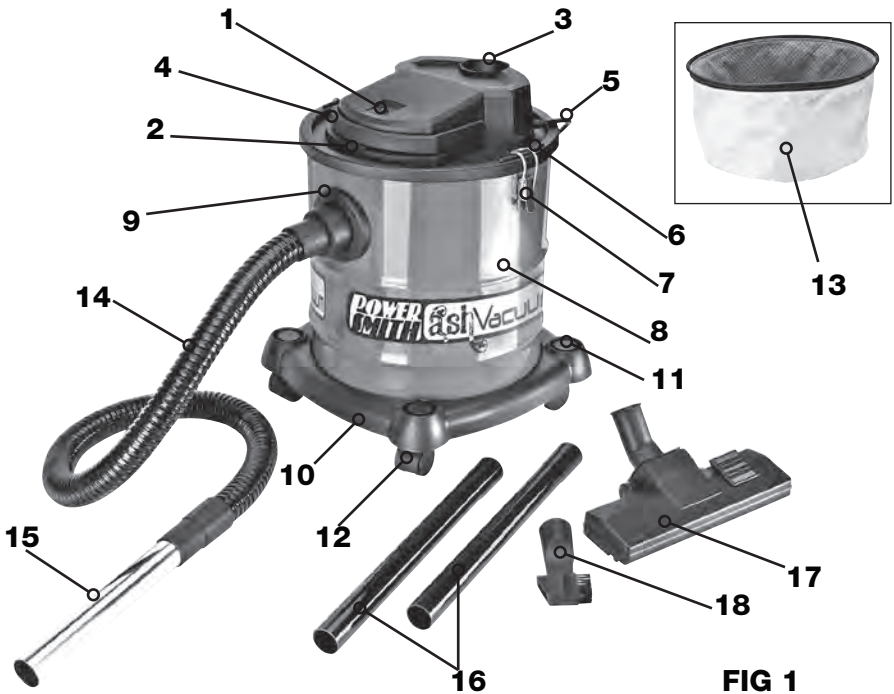


FIG 1

- | | |
|--------------------------------|--------------------------------|
| 1. El interruptor de encendido | 10. Base |
| 2. El indicador de LLENO | 11. Anillo de almacenamiento |
| 3. Orificio de escape | 12. Ruedas |
| 4. Mango de transporte | 13. Filtro |
| 5. Cable de alimentación | 14. Manguera |
| 6. Abrazadera de desembarques | 15. Boquilla de metálica |
| 7. Abrazadera | 16. Los tubos prolongador |
| 8. Cenizas del recipiente | 17. Cepillo para piso/alfombra |
| 9. Puerto de aspiradora | 18. Accesorio para hendiduras |

DESEMPAQUETADO Y CONTENIDO

¡IMPORTANTE! Debido a las modernas técnicas de producción en masa, es poco probable que la herramienta está defectuoso o que una parte se pierda. Si encuentra algo incorrecto, no opere la herramienta hasta que las partes han sido sustituidos o la falla ha sido corregida. El no hacerlo podría resultar en lesiones graves.

PIEZAS SUeltas EN LA CARTÓN

Descripción	CANT.	Descripción	CANT.
Alojamiento del motor	1	Accesorio para hendiduras	1
Recipiente de metálica, base instalada	1	Cepillo para piso/alfombra	1
Filtro	1	Los tubos prolongador de plástico	2
Manguera flexible, de metal revestido	1	Ruedas	4
Boquilla de metálica	1	Manual del usuario	1

INSTRUCCIONES DE MONTAJE

⚠ ADVERTENCIA: Por su propia seguridad, no enchufar la máquina antes de haberla armado completamente y haber leído las instrucciones de uso y de seguridad. No poner en uso la aspiradora si faltaran partes o hubiera partes dañadas.

INSTALACIÓN DE LAS RUEDAS

1. Quitar el alojamiento del motor, vaciar el colector y darlo vuelta para que la base negra quede hacia arriba. Verificar que el colector no esté apoyado sobre las abrazaderas. Véase la Figura 2.
2. Introducir el vástago de la rueda en el pequeño orificio ubicado en una esquina de la base. Hacer presión firmemente hasta que el vástago no entre más. Véase la Figura 2.
3. Repetir el paso 2 para colocar una rueda en cada uno de los 3 orificios restantes.
4. Dar vuelta el colector para que la base quede apoyada sobre las cuatro ruedas. Las cuatro ruedas deben quedar apoyadas uniformemente. Si así no fuera, una de las ruedas no está totalmente introducida.

INSTALACIÓN DEL FILTRO, MOTOR Y MANGUERA

1. La bolsa de filtro de la aspiradora de cenizas tiene dos partes, cada una de las cuales presenta una superficie diferente. La superficie externa del filtro es lisa y de color plateado brillante. La superficie interna es gris y tiene consistencia de tejido.
2. Colocar la bolsa del filtro en el colector de la aspiradora con la superficie plateada hacia afuera y la junta de caucho arriba. Véase la Figura 3.
3. Bajar el filtro hasta que la junta de caucho se apoye uniformemente en el borde del colector metálico.
4. Si fuera necesario, reacomodar la junta para haga pleno contacto con el borde del colector sin dejar espacios.
5. Colocar el alojamiento del motor en el colector, apoyado sobre la junta de caucho, con el interruptor de encendido y el indicador de LLENO arriba de la entrada al colector.

¡IMPORTANTE! Las abrazaderas deben estar alineadas con su apoyo en el alojamiento del motor, tal como se muestra en la Figura 4.

6. Enganchar las abrazaderas para fijar el alojamiento del motor.
7. Alinear el resalto en la manguera grande con el espacio arriba de la entrada del colector. Empujar hacia adentro el extremo de la manguera y girar en sentido horario para fijarla en posición. Véase la Figura 5.

- Introducir la boquilla metálica de admisión en el otro extremo de la manguera. Girar la boquilla en sentido horario y al mismo tiempo empujarla hacia adentro de la manguera.

ALOJAMIENTO DE ACCESORIOS

- Introducir el extremo angosto de un tubo prolongador en el cepillo para piso/alfombra. Introducir el extremo abierto del tubo en uno de los aros arriba de las ruedas, tal como se muestra en la Figura 7.
- Colocar los otros accesorios en los otros aros de alojamiento.
- Si hubiera espacio, puede dejar la manguera conectada a la aspiradora e introducir la boquilla metálica en uno de los aros.



FIG 2



FIG 3



FIG 4



FIG 5



FIG 6



FIG 7

UTILIZACIÓN

Si bien la aspiradora de ceniza es especialmente apta para aspirar ceniza tibia y fría de hogares, hornos y parrillas, también puede utilizarse para aspirar en seco en otros lugares o como soplador. En la sección de Uso se dan instrucciones sobre los distintos usos que puede tener la aspiradora.

⚠ ADVERTENCIA: Leer atentamente y observar las instrucciones y advertencias de seguridad. La seguridad es una combinación de sentido común, atención y conocimiento del funcionamiento de la aspiradora de ceniza.

⚠ ADVERTENCIA: Para reducir el riesgo de incendio o explosión, no usar la aspiradora en lugares donde haya gases o vapores inflamables, o polvo explosivo en el aire. Los siguientes son productos que generan gases o vapores inflamables, aunque no son los únicos: bencina, disolventes, pinturas al aceite, gasolina, alcohol y productos en aerosol. Los siguientes son polvos explosivos, aunque no son los únicos: carbón, magnesio, aluminio, granos cereales, pólvora. No aspirar polvos explosivos, combustibles líquidos ni cenizas calientes. Para evitar riesgos para la salud, no aspirar materiales tóxicos.

INTERRUPTOR DE ENCENDIDO

Enchufar la máquina y encenderla llevando el interruptor de la posición “0” a la posición “I”. Los símbolos utilizados en el interruptor son reconocidos internacionalmente. “0” es el símbolo de apagado e “I” es el símbolo de encendido.

O = APAGADO I = ENCENDIDO

NOTA: En lugares con muy baja humedad ambiente es común que se produzcan descargas electrostáticas. La aspiración de residuos finos puede generar carga estática en la manguera o la aspiradora. La mejor manera de reducir la frecuencia de descargas electrostáticas al usar la aspiradora es humidificando el ambiente con un humidificador.

USO DE LA ASPIRADORA CON CENIZAS

1. Antes de enchufar la máquina verificar que esté correctamente armada y la boquilla metálica esté colocada.

PRECAUCIÓN: NO usar la aspiradora de ceniza sin la boquilla metálica.

2. El interruptor de encendido debe estar en la posición “0” (apagada).
3. Colocar la aspiradora cerca del lugar donde será utilizada y verificar que las cenizas se hayan enfriado.
4. Enchufar la aspiradora y encenderla con el interruptor de encendido.
5. Comenzar a aspirar las cenizas con la boquilla metálica.
6. Durante el uso, verificar continuamente la temperatura de la manguera, la boquilla, el colector, el filtro y el motor. Si se notara un incremento de temperatura apagar inmediatamente la aspiradora. Desenchufarla y quitar el material acumulado en el colector y la bolsa del filtro. Antes de continuar, dejar que se enfríe la máquina y el material que será aspirado.

¡IMPORTANTE! El indicador de LLENO se volverá rojo gradualmente a medida que se llena el colector. Verificar frecuentemente el estado de carga del colector.

7. Dejar en marcha la aspiradora unos 30 segundos después de terminar de aspirar las cenizas para que los residuos que queden en la manguera pasen al colector. Apagar la aspiradora con el interruptor y desenchufarla.

- Dejar que la máquina se enfríe, vaciar el colector y limpiar el filtro tal como se indica en las instrucciones de "MANTENIMIENTO".

Sugerencias de uso

- No sumergir la boquilla en la ceniza ya que esto hará más probable que la boquilla y la manguera se obstruyan.
- Para evitar obstrucciones, apoyar la punta de la boquilla a unos 45°, así hay menos riesgo de aspirar objetos grandes.
- Mover la boquilla en círculos o de atrás hacia adelante. Esto ayudará a soltar ceniza pegada y permitirá aspirar con mayor rapidez.
- Desplazar hacia un lado los residuos más grandes para partarlos después en trozos más pequeños.

USO DE LA ASPIRADORA EN SECO

PRECAUCIÓN: Antes de usar la aspiradora con otros materiales, vaciar las cenizas del colector y limpiar el filtro. En caso contrario se aumentará el riesgo de incendio al aspirar materiales combustibles.

- Antes de enchufar la aspiradora verificar que el colector y el filtro estén limpios, que la aspiradora esté correctamente armada y tenga colocada la boquilla metálica.
- El interruptor de encendido debe estar en la posición "0" (apagada).
- Enchufar la aspiradora y encenderla con el interruptor de encendido.
- De vez en cuando mirar el indicador de LLENO.
- Dejar en marcha la aspiradora unos 30 segundos después de terminar de aspirar para que los residuos que queden en la manguera pasen al colector. Apagar la aspiradora con el interruptor y desenchufarla.
- Antes de guardar la aspiradora limpiar el colector y el filtro tal como se indica en las instrucciones de "MANTENIMIENTO".

USO COMO SOPLADOR

ADVERTENCIA:

- Al usar la máquina como soplador, usar protección ocular normalizada según ANSI Z87.1 (o CSA Z94.3 en Canadá).
- Mantener alejadas a otras personas del lugar donde se está soplando.
- Usar mascarilla respiratoria donde pueda levantarse polvo.
- Usar protección auditiva si se usa la aspiradora durante períodos prolongados o en un lugar ruidoso.

- Antes de enchufar la aspiradora verificar que el colector y el filtro estén limpios y que la aspiradora esté correctamente armada.
- El interruptor de encendido debe estar en la posición "0" (apagada).
- Introducir la manguera grande en la abertura de salida y girarla en sentido horario para fijarla en posición. Figura 6.

NOTA: La aspiradora de ceniza puede usarse como soplador con o sin la boquilla metálica o el tubo prolongador.

- Enchufar la aspiradora y encenderla con el interruptor de encendido.

USO COMO ASPIRADORA PARA PISOS/ALFOMBRA

El accesorio para pisos/alfombra debe usarse con un tubo prolongador. Con la aspiradora preparada para aspiración en seco,

1. conectar los tubos prolongadores y acoplar el accesorio para pisos/alfombra en el extremo más pequeño.
2. Introducir el extremo más grande en la manguera
3. La palanca de posición del cepillo está a la izquierda del accesorio para pisos/alfombra. Figura 7.
 - Para usa la aspiradora en pisos, empujar hacia abajo el borde delantero de la palanca para levantar el cepillo.
 - Para usa la aspiradora en alfombra, empujar hacia abajo el borde trasero de la palanca para bajar el cepillo.

ACCESORIO PARA HENDIDURAS

Este accesorio se usa para aspirar en lugares muy estrechos con mejores resultados que con la boquilla. La punta angosta del accesorio incrementa el poder de succión y esto ayuda a aspirar más materiales a mayor profundidad.

- Acoplar el accesorio al extremo más pequeño del tubo prolongador para tener mayor alcance.
- Girar la punta del accesorio, tal como indica la flecha, para usar el cepillo.

MANTENIMIENTO

⚠ ADVERTENCIA: Para realizar mantenimiento o extraer el alojamiento del motor, desenchufar la máquina.

¡IMPORTANTE! No realizar limpieza ni mantenimiento en interiores ni en ambientes habitados.

LIMPIEZA DEL COLECTOR Y FILTRO

1. Desenchufar la aspiradora.
2. Quitar la manguera haciendo girar el acoplamiento en sentido antihorario.
3. Desmontar el alojamiento del motor para obtener acceso al colector

Limpieza del filtro

1. Para levantar el mínimo de polvo, golpear con los dedos el interior de la bolsa del filtro para que el polvo caiga al colector.
2. Quitar el filtro del colector y limpiar el resto del polvo golpeando suavemente el interior del mismo o pasando un cepillo al lado externo de la bolsa.
3. **NOTA:** Si fuera necesario, el filtro puede lavarse con agua fría y detergente suave. Estrujarlo a mano y dejar que se seque al aire. El filtro debe estar totalmente seco antes de volver a colocarse. ¡NO lavar ni secar el filtro con máquina!
4. **NOTA:** No limpiar el filtro con aire comprimido.

Limpieza del colector

1. Vaciar las cenizas frías del colector en una bolsa de plástico o de papel.
2. Quitar las cenizas restantes frotando suavemente con papel o trapo. Si fuera necesario, limpiar el interior y/o exterior del colector con papel o trapo húmedo.
3. No lavar el colector con agua ni ningún otro producto de limpieza.

Verificar que el filtro no esté roto. Si así fuera, cambiarlo antes volver a armar la aspiradora.

¡IMPORTANTE! se usara la aspiradora con el filtro roto o incorrectamente instalado, saldrá polvo despedido por las aberturas de la misma.

Volver a armar la aspiradora después de haber limpiado el colector y el filtro, y/o de haber inspeccionado o cambiado el filtro.

SOLUCIÓN DE PROBLEMAS

⚠ ADVERTENCIA: Siempre desconecte el enchufe de la toma de corriente antes de la resolución de problemas.

SÍNTOMA	CAUSAS POSIBLES	REMEDIO
La aspiradora no funciona	No llega electricidad al motor	<ul style="list-style-type: none"> - Enchufar la máquina. - Verificar que no hayan interruptores abiertos o fusibles quemados en el circuito eléctrico. - Llamar a Servicios al cliente.
Salida de polvo	1. Filtro no colocado	1. Colocar el filtro.
	2. Filtro roto	2. Cambiar el filtro.
	3. La junta del filtro no está correctamente asentada en el borde superior del colector	3. Inspeccionar y colocar el filtro.
	4. Alojamiento del motor suelto	4. - Volver a instalar correctamente el alojamiento del motor - Enganchar ambas abrazaderas
Boquilla metálica, manguera o colector se calientan excesivamente	Cenizas muy calientes	Dejar enfriar las cenizas antes de aspirarlas *
Menos succión o no hay succión	1. Boquilla, manguera o entrada obstruida	1. Buscar y quitar la obstrucción.
	2. Colector lleno	2. Vaciar el colector.
	3. Filtro tapado con polvo fino	3. Limpiar el filtro o colocar uno nuevo.
La boquilla de obstruye fácilmente	Se está aspirando una cantidad excesiva de ceniza en una pasada	Consultar la sección "Sugerencias de uso".

*No usar guantes para aspirar ceniza más caliente que lo normal

ACCESORIOS

Usar exclusivamente repuestos y accesorios originales

NOTA: La aspiradora de ceniza PowerSmith™ utiliza exclusivamente el filtro PowerSmith™ especialmente diseñado, modelo PAAC301.

GARANTÍA DE DOS AÑOS

Este producto está garantizado contra defectos de material y de fabricación durante 2 años a partir de la fecha de compra. Esta garantía limitada no cubre el desgaste normal o daños por negligencia o accidente. El comprador original está cubierto por esta garantía y no es transferible. Antes de devolverlo su herramienta para almacenar la ubicación de la compra, por favor llame gratis a la línea de ayuda para las posibles soluciones.

LOS ACCESORIOS INCLUIDOS CON ESTE JUEGO NO TIENEN 2 AÑOS DE GARANTÍA.

LÍNEA DE AYUDA GRATUITA

Para preguntas acerca de este o cualquier otro producto **PowerSmith™** Llame gratuitamente al teléfono: **888-552-8665.**

O visite nuestro sitio web: **www.richpowerinc.com**

©Richpower Industries, Inc. All Rights reserved

Richpower Industries, Inc.
736 Hampton Road
Williamston, SC 29697

Printed in China, on recycled paper



Richpower Industries, Inc.
736 Hampton Road
Williamston, SC USA
www.richpowerinc.com