

## Pressure Balance Valve with Diverter

### FEATURES

- Corrosion resistant
- Anti-scald valve
- Adjustable temperature limit stop
- Two way diverter
- Integral shut-offs / check valves
- 1/2" NPT / sweat connections
- Back-to-back installation compatible without cross-over piping
- Optimized for minimum flow rate of 1.5 gpm (5.7 lpm) or higher.

### CODES/STANDARDS

- Meets or exceeds ASME A112.18.1/CSA B125.1
- Certifications: IAPMO(cUPC), State of Massachusetts, City of Los Angeles, and others
- Code Compliance: UPC, IPC, NSPC, NPC Canada, and others



### PRODUCT SPECIFICATION

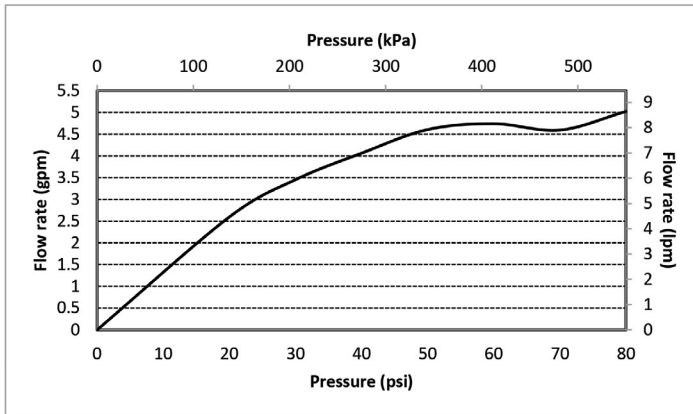
Pressure balancing valve with diverter shall have anti-scald protection and an adjustable temperature limit stop. Valve shall have integral shut-offs / check valve. Valve shall have top and side outlet ports. Valve shall have sweat solder connections with included 1/2" NPT adapters on outlets. Valve shall have 1/2" NPT / sweat solder connections on inlets. Valve model shall be TSPVM. Requires trim for pressure balance valve with diverter (sold separately).

# TSPVM

## Pressure Balance Valve with Diverter

### SPECIFICATIONS

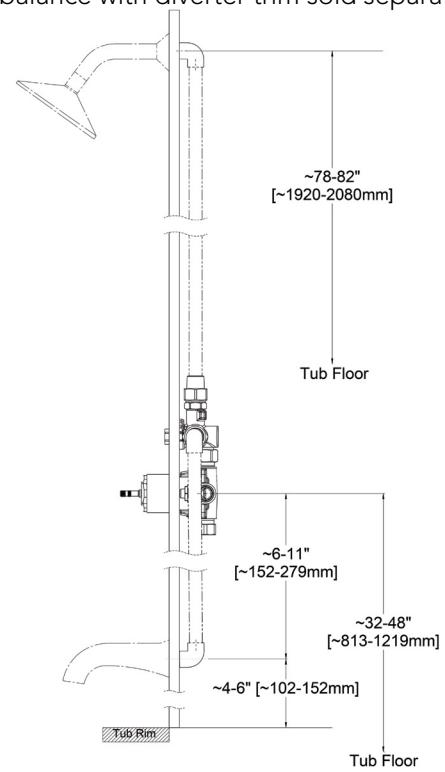
<b>Recommended Operating Pressure</b>	20 psi - 80 psi
<b>Warranty</b>	Lifetime Limited Warranty (Residential Use) One Year (Commercial Use)
<b>Material</b>	Brass
<b>Shipping Weight</b>	4.4 lbs.
<b>Shipping Dimensions</b>	11.5" L x 8.7" W x 5.9" H



### INSTALLATION NOTES

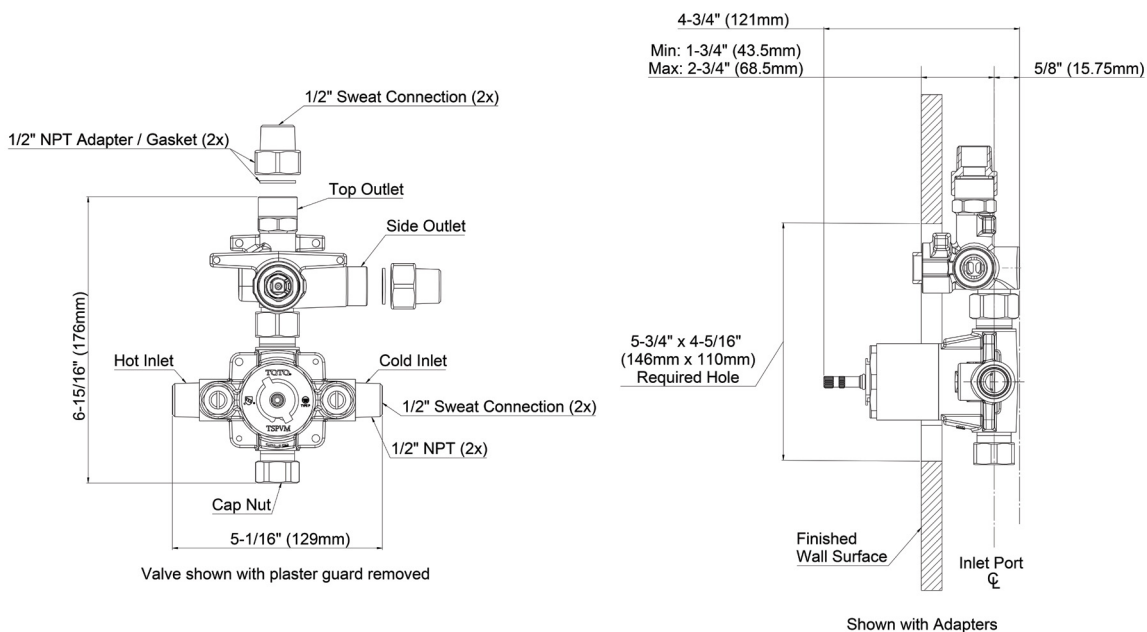
TRIM REQUIRED:

Pressure balance with diverter trim sold separately.



Dashed Pipework and Components Not Included

### DIMENSIONS



**TOTO®**

These dimensions and specifications are subject to change without notice