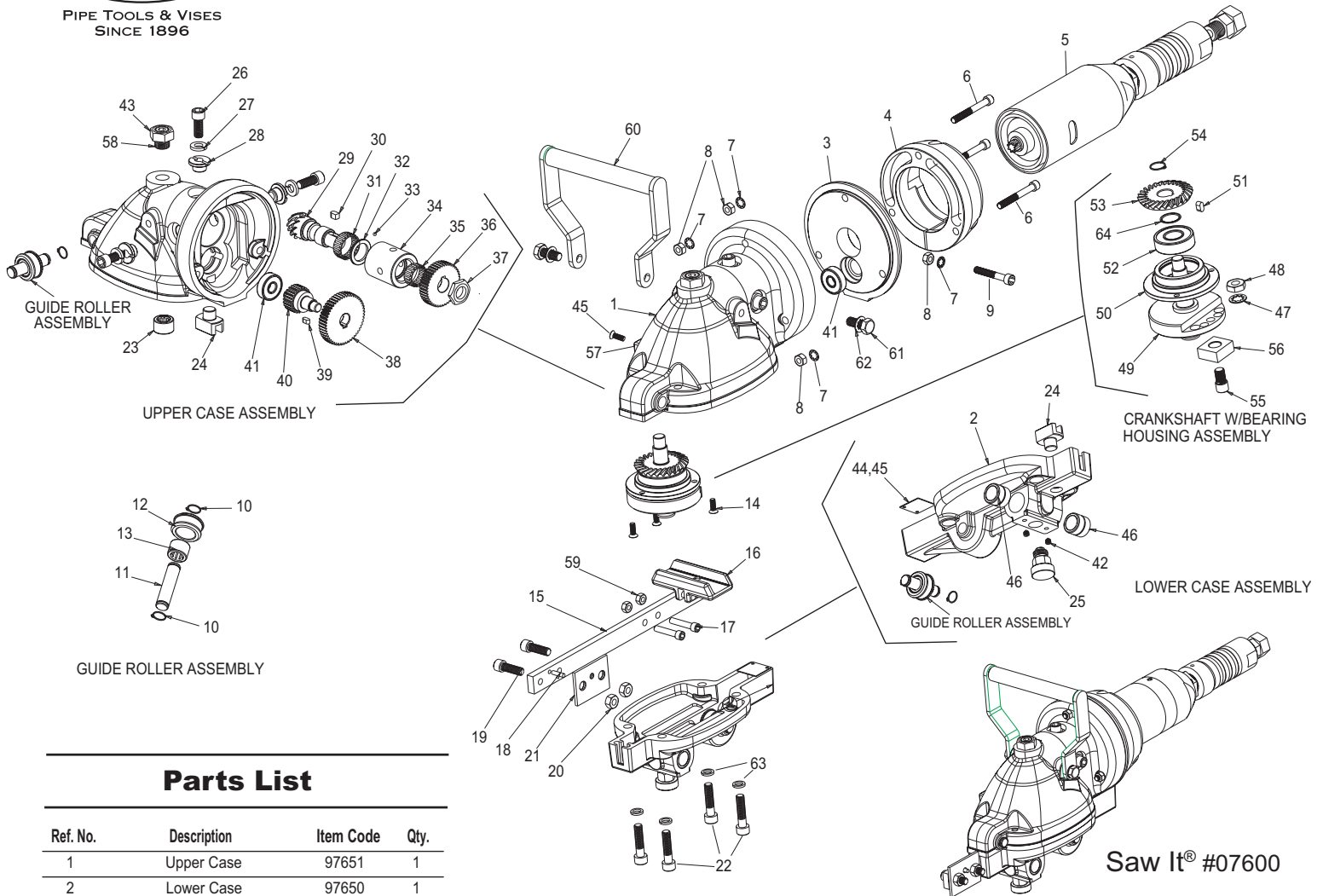




PIPE TOOLS & VISES
SINCE 1896

Saw It® (SAWIT model)

Replacement Parts



Parts List

Ref. No.	Description	Item Code	Qty.
1	Upper Case	97651	1
2	Lower Case	97650	1
3	End Cover	97653	1
4	End Clamp	97652	1
5	Air Motor Assembly	97730*	1
6	Bolt, SHCS	37667	3
7	Lock Washer	37655	4
8	Hex Nut	37650	4
9	Bolt, SHCS	37666	1
10	Snap Ring	47668	4
11	Guide Shaft	97670	2
12	Guide Roller	97668	2
13	Needle Bearing	47673	2
14	Screw, FHCS	37669	3
15	Rail	97676	1
16	Cam Bracket	97654	1
17	Bolt, SHCS	30302	2
18	Dowel Pin	37659	1
19	Bolt, SHCS	37671	2
20	Nut, Hex	30176	2
21	Clamp Plate	97666	1
22	Bolt, SHCS	37652	4
23	Needle Bearing	47674	1

Ref. No.	Description	Item Code	Qty.
24	Guide Bearing	97671	2
25	Spring Plunger	97678	1
26	Socket Head Cap Screw	32910	3
27	Lock Washer	37657	3
28	Offset Washer	97667	3
29	Gear Shaft	97660	1
30	Shaft Key	37660	1
31	Needle Bearing	47671	1
32	Thrust Washer	37658	1
33	Ball Bearing	37663	22
34	Bearing Housing	97675	1
35	Needle Bearing	47672	1
36	Spur Gear	97662	1
37	Jam Nut	37654	1
38	Helical Gear	97664	1
39	Shaft Key	37662	1
40	Reduction Gear	97663	1
41	Radial Bearing	47670	2
42	Flathead Screw	37673	2
43	Jam Nut	30058	1
44	Cover Plate	97677	1

Ref. No.	Description	Item Code	Qty.
45	Drive Pin	37710	4
46	Handle Bushing	97672	2
47	Lock Washer	37656	1
48	Jam Nut	37653	1
49	Crank Assembly	97674	1
50	Bearing Retainer	97673	1
51	Shaft Key	37661	1
52	Bearing	47669	1
53	Bevel Gear	97661	1
54	Snap Ring	47667	1
55	Bolt, SHCS	97681	1
56	Crank Bearing	97669	1
57	Name Plate	97680	1
58	Set Screw	37739	1
59	Hex Nut	37674	2
60	Bridge Type Handle	97750	1
61	Hex Bolt	37741	2
62	Lock Washer	37742	2
63	Lock Washer	37754	4
64	Internal Retaining Ring	47686	1

*See side 2 for 97730 parts

Reed Manufacturing Company
1425 West 8th St.
Erie, PA 16502 USA

QUALITY
& Service
that Last a Lifetime

Phone: 800-666-3691 or 814-452-3691
Fax: 800-456-1697 or 814-455-1697
www.reedmfgco.com

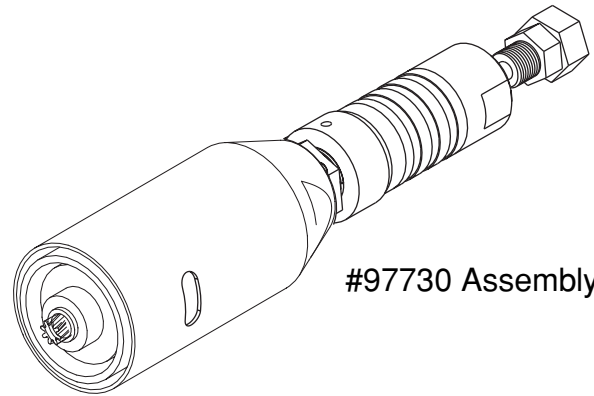
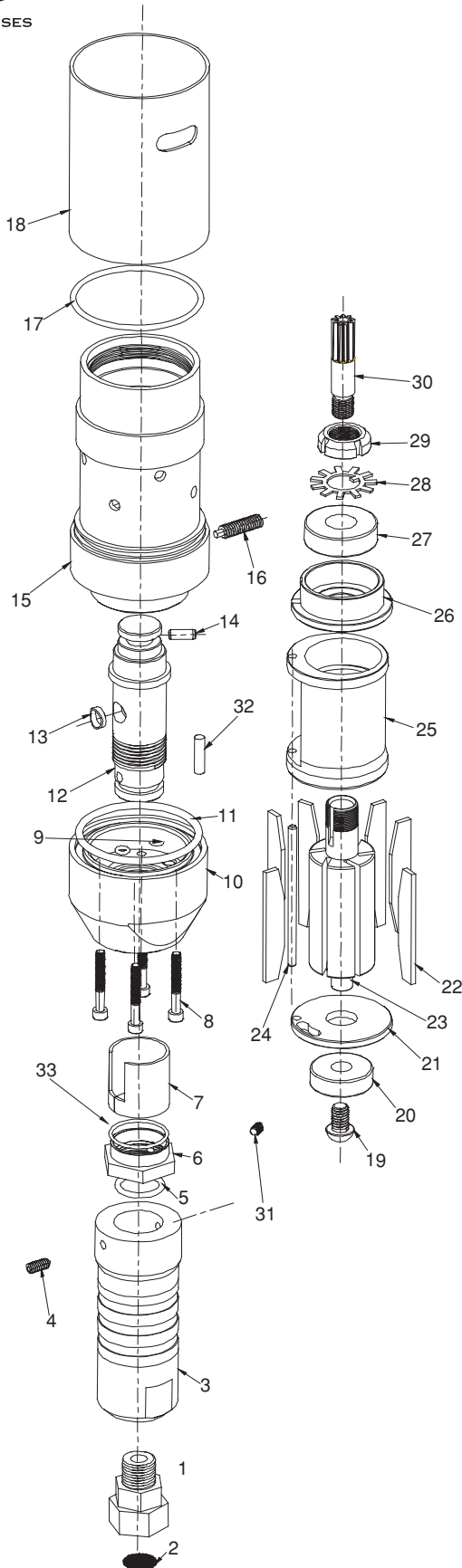
RP-1210-76
See also 57600



PIPE TOOLS & VISES
SINCE 1896

Saw It[®] Air Motor

Replacement Parts



#97730 Assembly

Parts List

Ref. No.	Description	Item Code	Qty.
1	Swivel Fitting	97727	1
2	Air Inlet Screen	97723	1
3	Lower Housing	97695	1
4	Socket Set Screw	37748	2
5	O-Ring AS-116	37750	1
6	Packing Gland Nut	37743	1
7	Packing	47659	1
8	1 1/4" Cap Screw	37746	4
9	O-Ring AS-007	37747	4
10	Coupling Housing	97696	1
11	O-Ring SA-227	37749	1
12	Fitting Housing	97697	1
13	O-Ring O22	37752	1
14	Dowel Pin	37753	1
15	Upper Housing	97694	1
16	Socket Set Screw	37744	1
17	O-Ring A-141	97709	1
18	Deflector Tube	97721	1
19	Button Head Screw	97719	1
20	Bearing Rotor	98846	1
21	Endplate	97716	1
22	Vane	97714	6
23	Rotor	97713	1
24	Dowel Pin	37720	1
25	Rotor Housing Cylinder	97712	1
26	Output Shaft Endplate	97715	1
27	Rotor Bearing	97717	1
28	Nut Retainer	37723	1
29	Bear Hug Nut	37722	1
30	Motor Spline	97665	1
31	Set Screw	37751	1
32	Dowel Pin	37745	1
33	O-Ring	37752	1

Reed Manufacturing Company
1425 West 8th St.
Erie, PA 16502 USA

QUALITY
& Service
that Last a Lifetime

Phone: 800-666-3691 or 814-452-3691
Fax: 800-456-1697 or 814-455-1697
www.reedmfgco.com

RP-1210-76
See also 57600