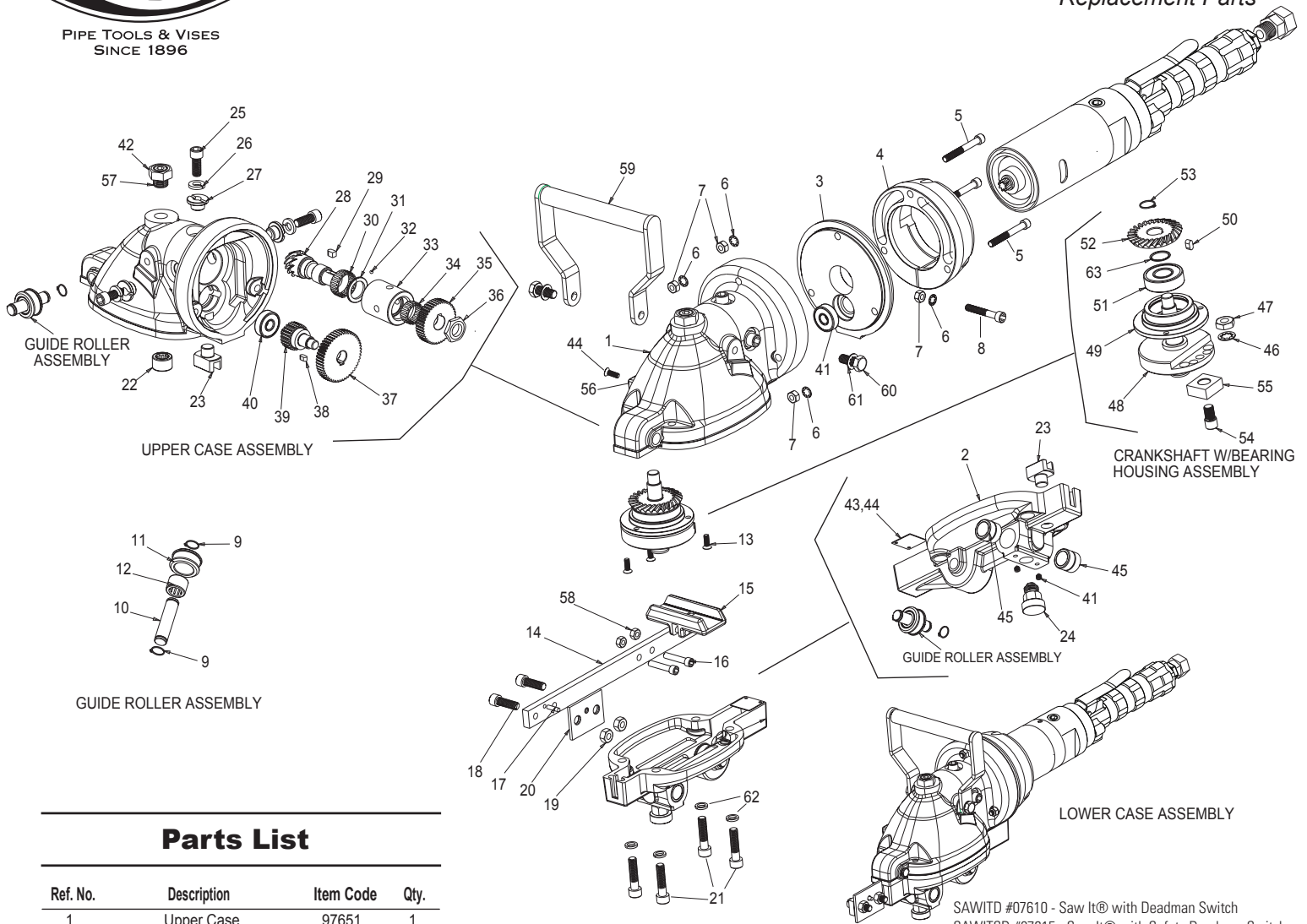




PIPE TOOLS & VISES
SINCE 1896

Saw It® (SAWITD & SAWITSD models)

Replacement Parts



Parts List

Ref. No.	Description	Item Code	Qty.
1	Upper Case	97651	1
2	Lower Case	97650	1
3	End Cover	97653	1
4	End Clamp	97652	1
5	Bolt, SHCS	37667	3
6	Lock Washer	37655	4
7	Hex Nut	37650	4
8	Bolt, SHCS	37666	1
9	Snap Ring	47668	4
10	Guide Shaft	97670	2
11	Guide Roller	97668	2
12	Needle Bearing	47673	2
13	Screw, FHCS	37669	3
14	Rail	97676	1
15	Cam Bracket	97654	1
16	Bolt, SHCS	30302	2
17	Dowel Pin	37659	1
18	Bolt, SHCS	37671	2
19	Nut, Hex	30176	2
20	Clamp Plate	97666	1
21	Bolt, SHCS	37652	4
22	Needle Bearing	47674	1

Ref. No.	Description	Item Code	Qty.
23	Guide Bearing	97671	2
24	Spring Plunger	97678	1
25	Socket Head Cap Screw	32910	3
26	Lock Washer	37657	3
27	Offset Washer	97667	3
28	Gear Shaft	97660	1
29	Shaft Key	37660	1
30	Needle Bearing	47671	1
31	Thrust Washer	37658	1
32	Ball Bearing	37663	22
33	Bearing Housing	97675	1
34	Needle Bearing	47672	1
35	Spur Gear	97662	1
36	Jam Nut	37654	1
37	Helical Gear	97664	1
38	Shaft Key	37662	1
39	Reduction Gear	97663	1
40	Radial Bearing	47670	2
41	Flathead Screw	37673	2
42	Jam Nut	30058	1
43	Cover Plate	97677	1

Ref. No.	Description	Item Code	Qty.
44	Drive Pin	37710	4
45	Handle Bushing	97672	2
46	Lock Washer	37656	1
47	Jam Nut	37653	1
48	Crank Assembly	97674	1
49	Bearing Retainer	97673	1
50	Shaft Key	37661	1
51	Bearing	47669	1
52	Bevel Gear	97661	1
53	Snap Ring	47667	1
54	Bolt, SHCS	97681	1
55	Crank Bearing	97669	1
56	Name Plate	97680	1
57	Set Screw	37739	1
58	Hex Nut	37674	2
59	Bridge Type Handle	97750	1
60	Hex Bolt	37741	2
61	Lock Washer	37742	2
62	Lock Washer	37754	4
63	Internal Retaining Ring	47686	1

*See side 2 for 97674 parts

Reed Manufacturing Company
1425 West 8th St.
Erie, PA 16502 USA



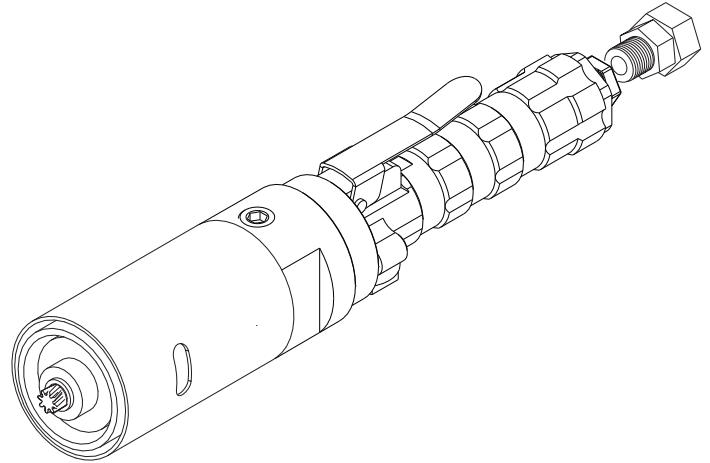
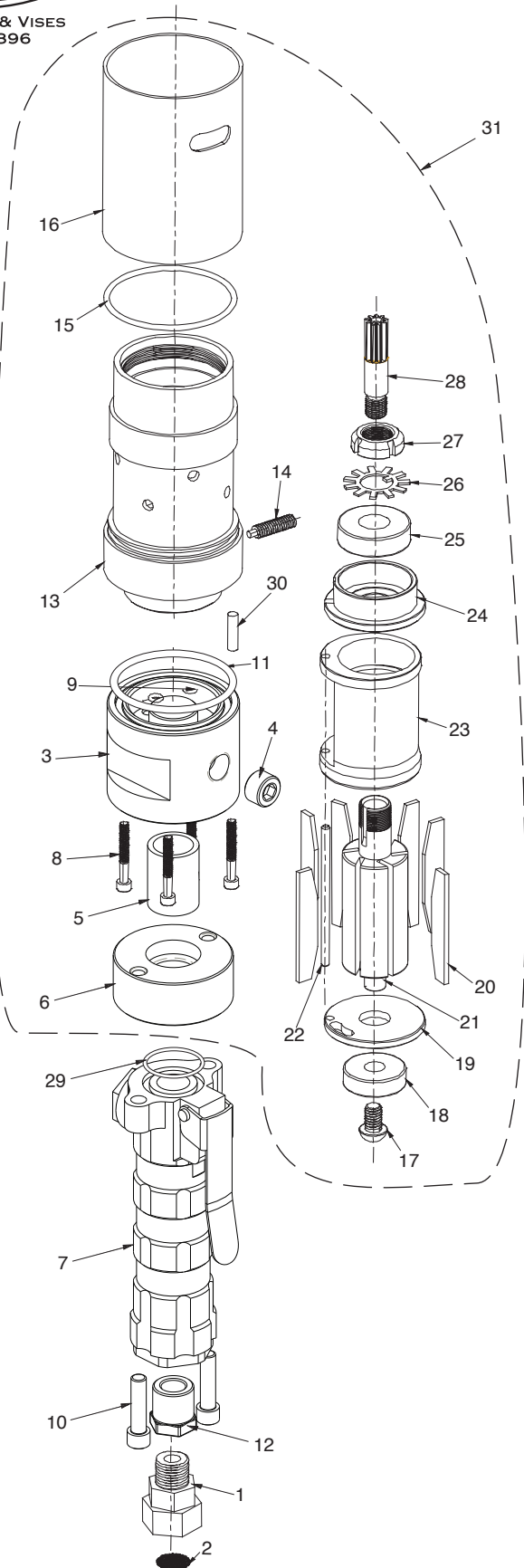
Phone: 800-666-3691 or 814-452-3691
Fax: 800-456-1697 or 814-455-1697
www.reedmfgco.com



PIPE TOOLS & VISES
SINCE 1896

Saw It[®] Air Motor

Replacement Parts



Parts List

Ref. No.	Description	Item Code	Qty.
1	Swivel Fitting	97727	1
2	Air Inlet Screen	97723	1
3	Coupling Housing	97685	1
4	Plug	37726	1
5	Pipe Nipple	37725	1
6	Handle Adapter	97686	1
7a	Lever Handle, Deadman	47683	1
7b	Lever Handle, Safety Deadman	47684	1
8	1 1/4" Cap Screw	37746	4
9	O-Ring AS-007	37747	4
10	Socket Head Cap Screw	30241	2
11	O-Ring SA-227	37749	1
12	Bushing	37727	1
13	Upper Housing	97694	1
14	Socket Set Screw	37744	1
15	O-Ring A-141	97709	1
16	Deflector Tube	97721	1
17	Button Head Screw	97719	1
18	Bearing Rotor	98846	1
19	Endplate	97716	1
20	Vane	97714	6
21	Rotor	97713	1
22	Dowel Pin	37720	1
23	Rotor Housing Cylinder	97712	1
24	Output Shaft Endplate	97715	1
25	Rotor Bearing	97717	1
26	Nut Retainer	37723	1
27	Bear Hug Nut	37722	1
28	Motor Spline	97665	1
29	O-Ring	37738	1
30	Dowel Pin	37745	1
31	Air Motor Assembly	97684	1

Reed Manufacturing Company
1425 West 8th St.
Erie, PA 16502 USA



Phone: 800-666-3691 or 814-452-3691
Fax: 800-456-1697 or 814-455-1697
www.reedmfgco.com

RP-1210-107