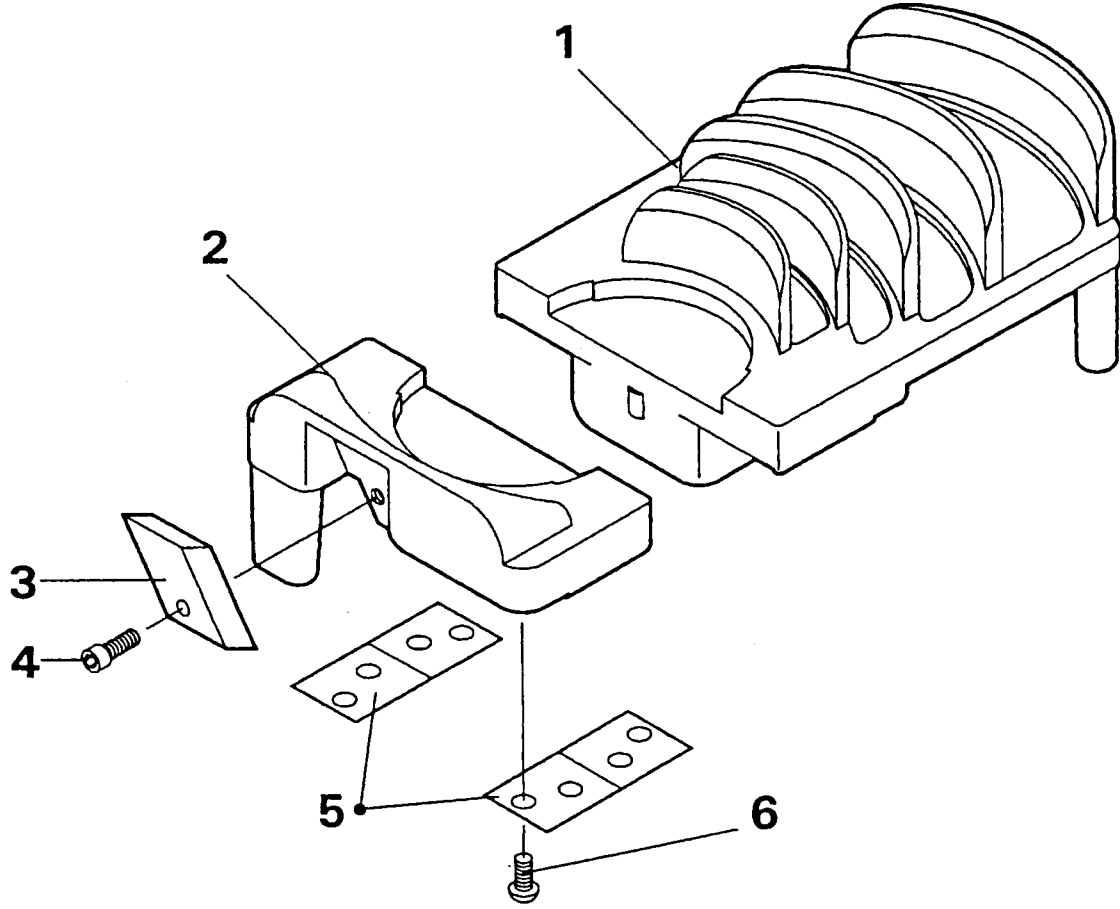




Tools for Plastic (DEB4 Deburring Tool)
Replacement Parts



Ref #	Description	Item Code	Qty. Used
1	Body	94089	1
2	Cutting Head	94090	1
3	Blade	94430	1
4	Cap Screw for Blade	30105	1
5	Spring	40188	2
6	Machine Screws	30106	8