

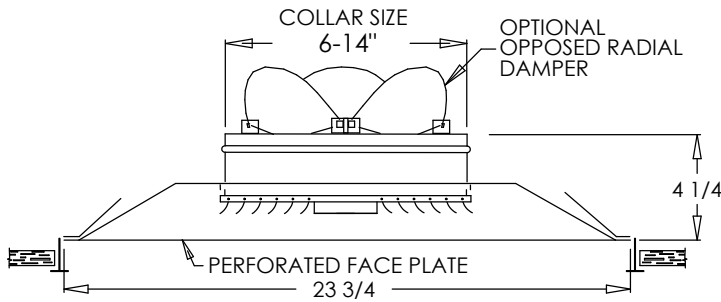
825 Series Perforated T-Bar Adjustable Curved Blade

Standard:

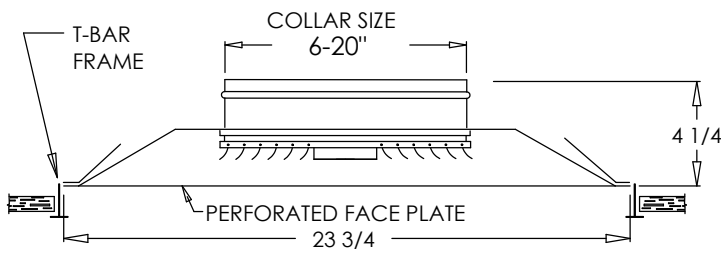
- Individually adjustable curved blade T-Bar lay in diffuser with concealed hinges
- Hinged Perforated face
- Spring release face for easy access to adjust curved blades
- 2x2 galvaneal steel panel with seismic support hangers
- Round No Labor Collar sizes, 6, 7, 8, 9, 10, 12, 14, 16, 18 & 20"
- Soft White

Optional:

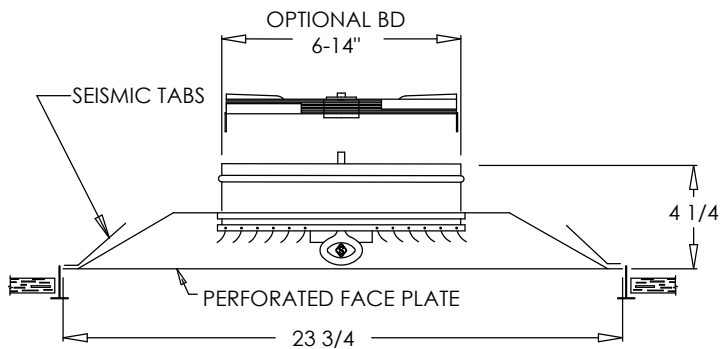
- Modular core fixed blade diffuser with field adjustable air patterns (825MA)
- Field installable Bowtie Damper (BD) on 6" thru 14" round collar
- Factory installed Opposed Radial Damper (825-OR) sizes 6"-14"
- Square Collar
- Steel opposed blade damper available on square collar only (825-O)
- TVB - Thermal Vapor Blanket: 1" thick 2 x 2 foil faced self adhesive insulation blanket



825 OR



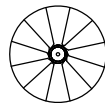
825



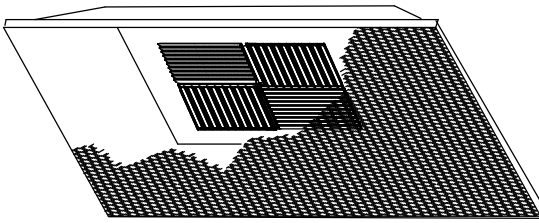
825 BD

Open

Closed



PROJECT	SUBMITTAL REVIEW
LOCATION	
ENGINEER	
ARCHITECT	
CONTRACTOR	



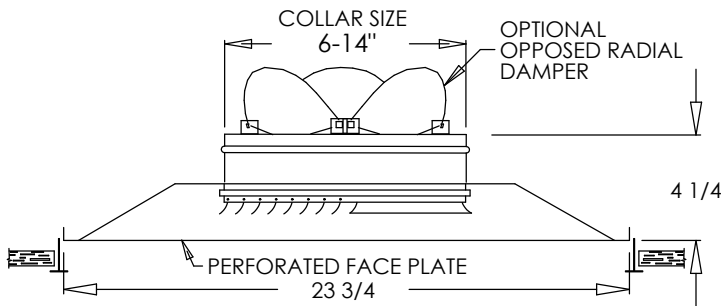
825 Series Perforated T-Bar Modular Curved Blade

Standard:

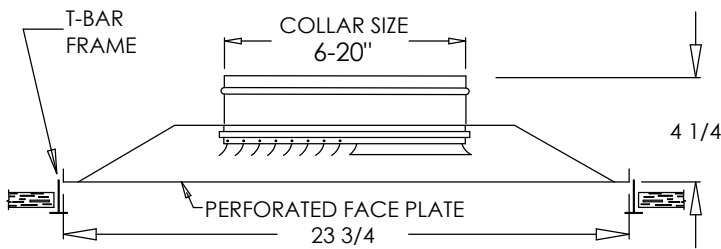
- Modular core fixed blade diffuser with field adjustable air patterns
- Hinged perforated face
- Spring release face plate for easy access to adjust cores
- 2x2 galvaneal steel panel with seismic support holes
- Round No Labor Collar sizes 6, 7, 8, 9, 10, 12, 14, 16, 18 & 20"
- Soft White

Optional:

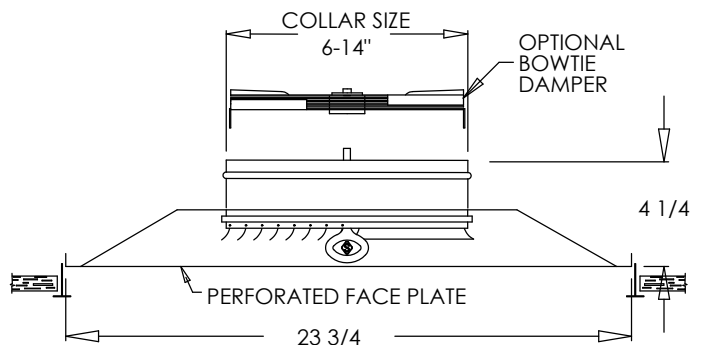
- Field installable Bowtie Damper (825 MA BD) on 6" thru 14" round collar
- Factory installed Opposed Radial Damper sizes 6"-14" (825 MA OR)
- Square Collar
- TVB - Thermal Vapor Blanket: 1" thick 2 x 2 foil faced self adhesive insulation blanket



825 MA OR

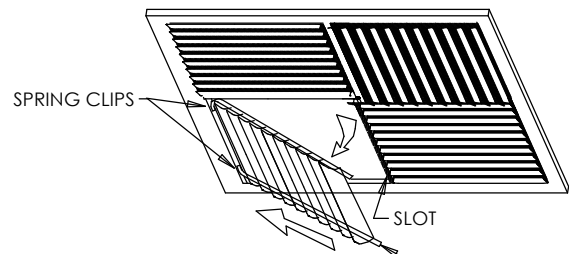
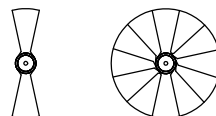


825 MA



825 MA BD

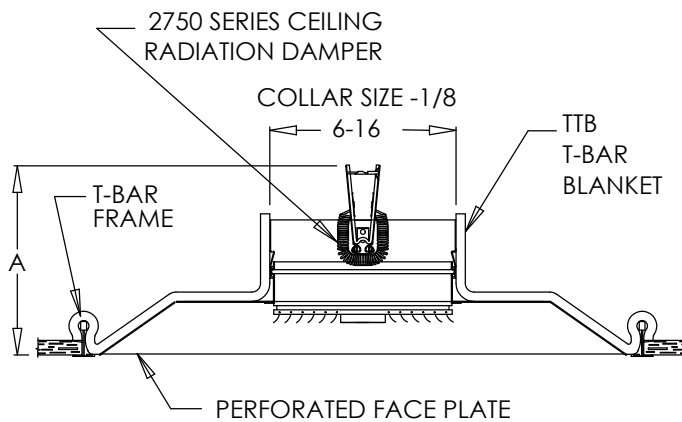
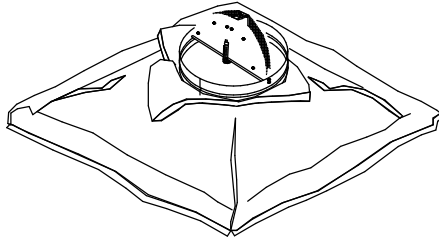
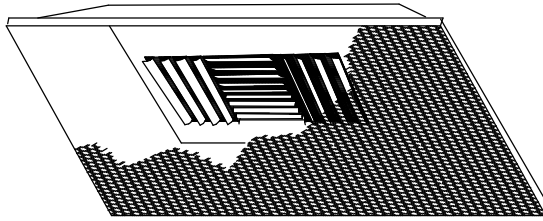
Open Closed



TO REMOVE CORE: COMPRESS SPRING CLIPS THEN LIFT END FROM SLOT

825 MA

PROJECT	SUBMITTAL REVIEW
LOCATION	
ENGINEER	
ARCHITECT	
CONTRACTOR	



825FR Series Perforated T-Bar Adjustable Curved Blade

Standard:

- Ceiling Radiation Damper (2750)
- U.L. listed Fire-Resistance Diffuser
- TTB - Thermal Blanket (3 hr rated): 1/4" thick #6 ceramic fiber with woven mesh screen
- Individually adjustable curved blade T-Bar lay in diffuser with concealed hinges
- Hinged 22 gauge perforated face
- Spring release for easy access to adjust curved blades
- 2x2 22 gauge galvaneal steel panel with seismic support hangers
- Round No Labor Collar sizes 6, 7, 8, 9, 10, 12, 14 & 16"
- Soft White

FR Panel Opening Height	
Damper Size	Height (A)
5"	6"
6"	6 1/2"
7"	7"
8"	7 1/2"
9"	8"
10"	8 1/2"
12"	9 1/2"
14"	10 1/2"
16"	11 1/2"

PROJECT	SUBMITTAL REVIEW
LOCATION	
ENGINEER	
ARCHITECT	
CONTRACTOR	