



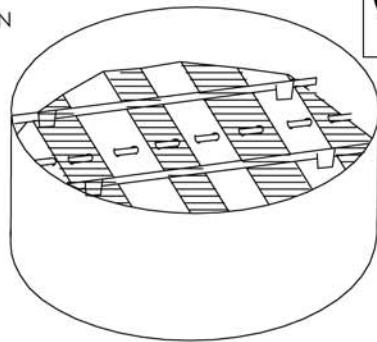
OPEN POSITION


2652 Series
1 1/2 Hour Round Fire Damper
Standard:

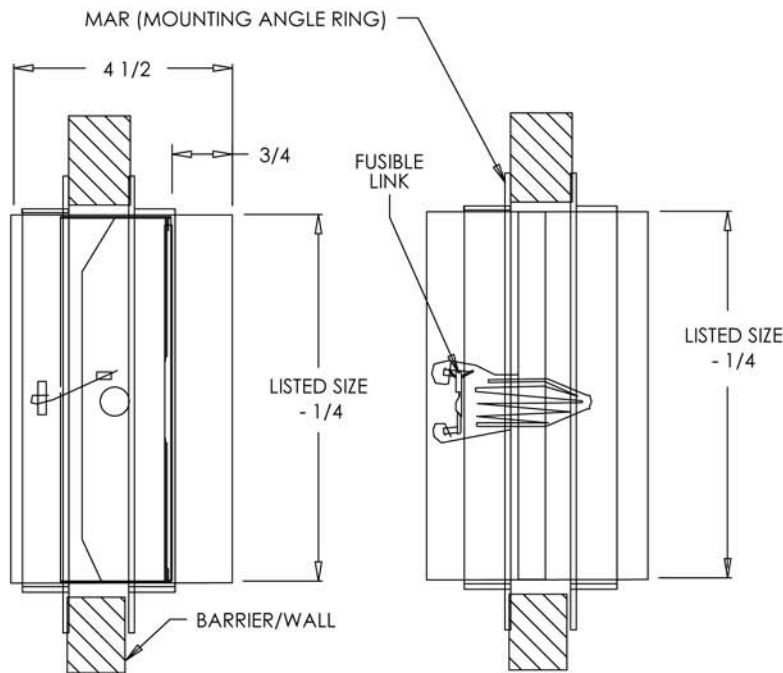
- Round U.L. classified 1-1/2 hour fire damper
- Stainless Steel curtain
- 16 GA steel frame
- Galvanized finish
- U.L. listed fusible link, 165° F
- Horizontal or vertical installation
- Damper construction meets NFPA 90A requirements
- Positive lock in closed position, size 13" and over
- Sizes 4-12" utilizes one main curtain stay

Optional:

- Mounting Angle Ring (MAR)
- U.L. listed fusible link, 180° F
- U.L. listed fusible link, 212° F



CLOSED POSITION


 MAR
 Mounting Angle Ring

2652

Print Form

PROJECT	SUBMITTAL REVIEW
LOCATION	
ENGINEER	
ARCHITECT	
CONTRACTOR	