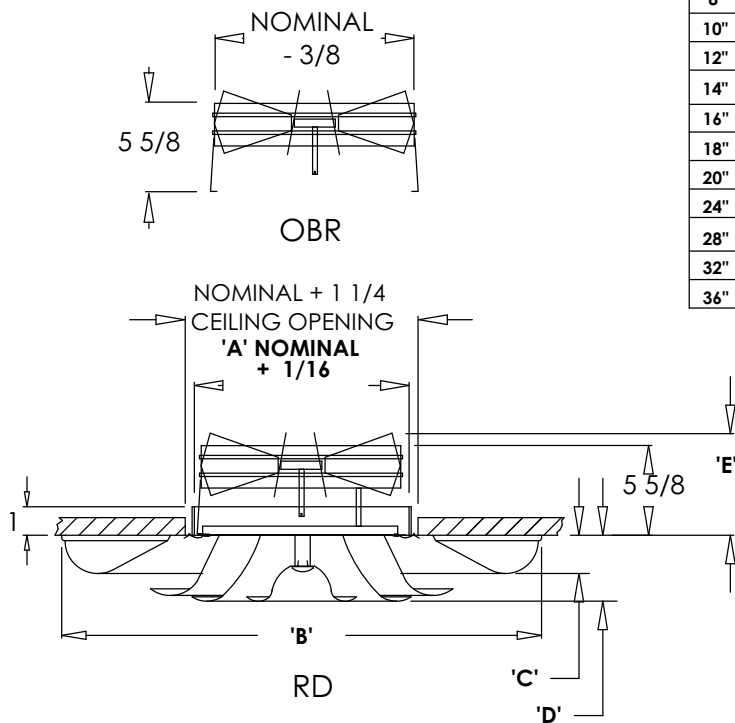
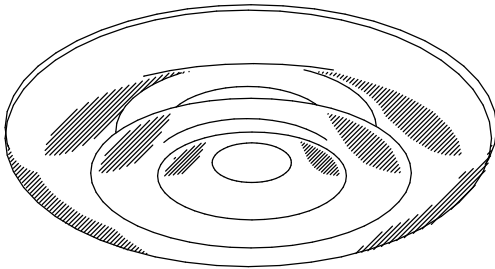


**RD Series
 Round Ceiling Diffuser**
Standard:

- All steel expanded fixed cone diffuser
- Ceiling plate collar connected directly to duct is sized to fit outside the duct stub
- Design allows a high degree of primary and secondary air mixing
- Positive spring latch to remove cores
- Soft White

Optional:

- Gang-operated Radial Blade Radial Volume Control Damper (OBR) 6" thru 24"



"RD" Dimensions Listed in Inches

Size	A	B	C	D	E
6"	6 1/16"	14 1/2"	1 3/16"	1 5/16"	6 1/2"
8"	8 1/16"	17 9/16"	1 3/8"	2 3/8"	6 1/4"
10"	10 1/16"	19 13/16"	1 3/8"	2 7/8"	6 3/4"
12"	12 1/16"	22 1/16"	1 3/8"	2 5/16"	7 1/14"
14"	14 1/16"	24 1/16"	1 1/2"	2 5/16"	6 3/16"
16"	16 1/16"	28 13/16"	2 1/8"	2 3/4"	7 7/16"
18"	18 1/16"	32 1/16"	2 1/8"	3 1/8"	7 11/16"
20"	20 1/16"	33 9/16"	2 1/4"	3 1/8"	7 15/16"
24"	24 1/16"	39 5/16"	2 5/8"	3 11/16"	7 15/16"
28"	28 1/16"	48 9/16"	2 11/16"	4 1/2"	n/a"
32"	32 1/16"	60 13/16"	2 7/8"	4 15/16"	n/a"
36"	36 1/16"	60 13/16"	2 7/8"	4 15/16"	n/a"

Print Form

PROJECT

SUBMITTAL REVIEW

LOCATION

ENGINEER

ARCHITECT

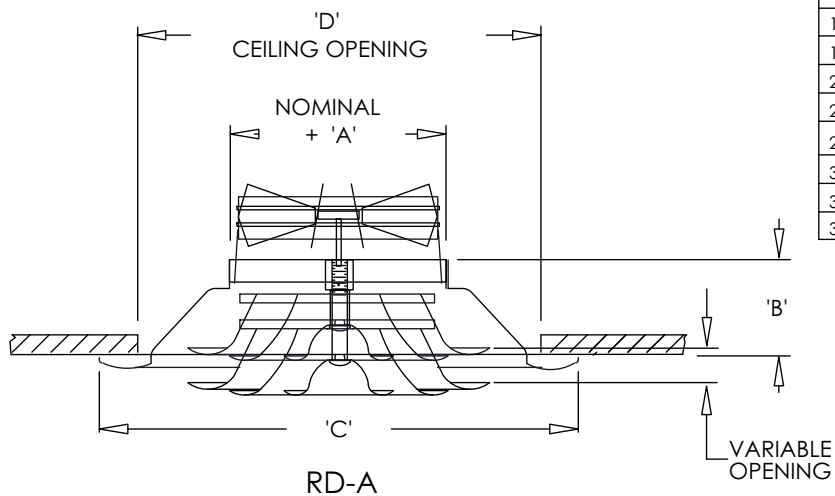
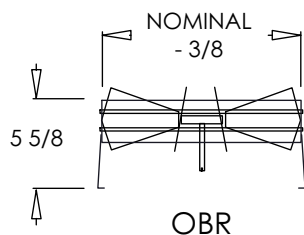
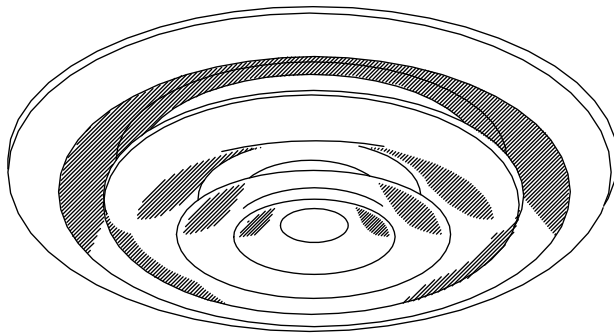
CONTRACTOR

**RD-A Series
 Round Ceiling Diffuser**
Standard:

- All steel Fully Adjustable cone diffuser provides vertical, horizontal or intermediate air patterns
- Ceiling plate collar connected directly to duct is sized to fit outside the duct stub
- Design allows a high degree of primary and secondary air mixing
- Positive spring latch to remove cores
- Soft White

Optional:

- Gang-Operated Radial Blade Volume Control Damper (OBR) 6" thru 24"



"RD-A" Dimensions Listed in Inches				
Size	A	B	C	D
5"	+1/16	4 1/16"	14 1/4"	11 3/4"
6"		3 1/4"	14 1/4"	11 3/4"
8"		4 1/8"	18 3/4"	15 1/2"
10"		4 7/16"	23 1/8"	19 1/2"
12"		4 7/8"	27 1/4"	23 1/4"
14"	+1/16	5 1/4"	31 7/16"	27 1/4"
16"	+1/8	7 1/2"	37 1/2"	31 3/4"
18"		7 1/8"	40 15/16"	35"
20"		8 1/4"	45 3/16"	39"
24"		9 13/16"	52"	47"
28"	+1/8	11 3/8"	61"	55"
32"	+3/16	12 1/4"	70"	63"
36"		12 1/4"	70"	63"
38"		12 1/4"	70"	63"

Print Form

PROJECT

SUBMITTAL REVIEW

LOCATION

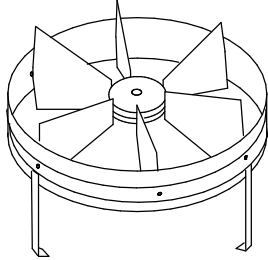
ENGINEER

ARCHITECT

CONTRACTOR

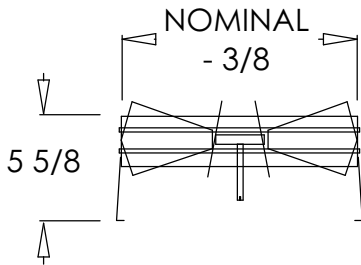


OBR Series Opposed Butterfly Round Damper



Standard:

- Gang-operated Radial Blade Radial Volume Control Damper, 6" thru 24"
- Screwdriver operated
- Mill Finish



OBR

Print Form

PROJECT

SUBMITTAL REVIEW

LOCATION

ENGINEER

ARCHITECT

CONTRACTOR